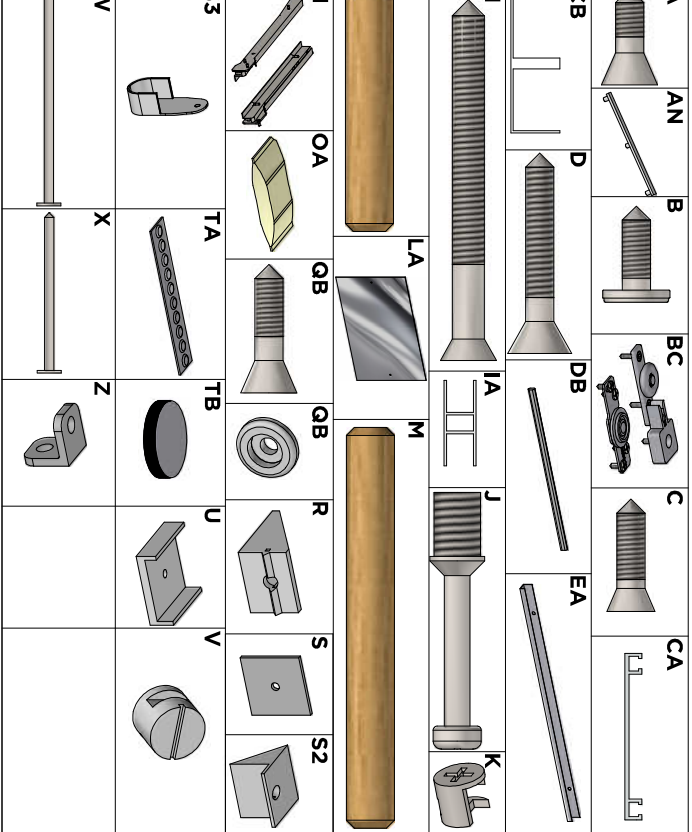


Acessórios/Accessories/Acessórios



SEQ.	CODIGO	REF. 01	REF. 02	REF. 03	DESCRICOAO	DESCRIPCION_EN	DESCRIPCION_ES	QTD.
1	09356	138	03	138	BASE	BASE	1480 X 535 X 12	1
2	04121	138	03	138	BASE MALEIRO	LUGGAGE BASE	1480 X 395 X 12	1
3	05108	138	03	138	BATENTE FRONTAL	SUPPORT FRONTAL	415 X 65 X 12	1
4	07253	138	03	138	CHAPÉU	TAPA SUPERIOR DEL. ROPERO	1480 X 535 X 12	1
5	06142	138	03	138	CONTRA-FUNDO	CONTRA FONDO	631 X 114 X 12	1
6	8335	138	03	138	DIVISAO ESQUERDA	LEFT DIVIDE	1640 X 395 X 12	2
7	09189	138	03	138	FRENTE DE GAVETA	FRONT OF DRAWER	670 X 165 X 12	2
8	10119	138	03	138	FUNDO GAVETA	DRAWER BASE	653 X 368 X 3	1
9	12027	138	03	138	LATERAL DE GAVETA	DRAWER SIDE	360 X 114 X 12	4
10	11755	138	03	136	LATERAL DIREITA	RIGHT SIDE PANEL	2180 X 535 X 12	1
11	11418	136	03	136	LATERAL ESQUERDA	LEFT SIDE PANEL	2180 X 535 X 12	1
12	14309	140	202	151	PORTA DE CORRER LATERAL	SLIDING DOOR	2038 X 773 X 15	1
13	14310	138	03	138	PORTA DO ESPELHO	SLIDING DOOR	2038 X 773 X 12	1
14	15180	138	03	138	PRATELERA INFERIOR	SHELF	788 X 385 X 12	1
15	16599	134	03	134	RODAPÉ FRONTAL	BOTTOM BOARD FRONT	1480 X 20 X 15	1
16	16379	20	20	20	RODAPÉ INTERNO	ZOCALO INTERNO	496 X 70 X 15	1
17	16594	20	20	20	RODAPÉ TRASSEIRO	BOTTOM BOARD BACK	1480 X 20 X 15	1
18	17145	134	03	134	RODAPÉ	ZOCALO TRASSEIRO	1480 X 20 X 15	1
19	19254	138	03	138	TAMPO ABERTURO	DRAWER CABINET TOP PANEL	1504 X 20 X 15	1
20	20619	138	03	138	TRASSEIRO LATERAL	BACK PANEL	1656 X 395 X 3	1
21	20773	138	03	138	TRASSEIRO MAIOR	BACK PANEL	1656 X 966 X 3	1
22	20772	138	03	138	TRASSEIRO PEQUENO	BACK PANEL	1500 X 431 X 3	1
23	28096	20	20	20	TRAVESSA DA GAVETA	DRAWER'S SECURITY SUPPORT	680 X 50 X 12	1
24	29102	134	03	134	VISTA LATERAL	VISION LATERAL	2178 X 20 X 15	2

ATENÇÃO
 1. Ler atentamente as instruções do manual antes de iniciar a montagem do móvel.
 2. A montagem deverá ser feita em superfície limpa e plana, acionavelmente forar o chão com a embalagem do produto, para não danificá-lo.
 3. Os parafusos devem ser apertados periodicamente.
 4. Evitar batidas e contato com objetos cortantes.
 5. Não utilizar produtos abrasivos ou químicos.
 6. Evitar a utilização de produtos inflamáveis, explosivos ou inflamáveis.
 7. Evitar a utilização de produtos inflamáveis, explosivos ou inflamáveis.
 8. Evitar a utilização de produtos inflamáveis, explosivos ou inflamáveis.
 9. Evitar a utilização de produtos inflamáveis, explosivos ou inflamáveis.
 10. Evitar a utilização de produtos inflamáveis, explosivos ou inflamáveis.

Limpeza e Conservação
 Limpar e limpar somente com pano macio limpo e seco.
 Não utilizar produtos abrasivos ou químicos.

Garantia
 1. O fabricante responsabiliza-se apenas pelas peças do produto.
 2. A montagem incorreta acarretará na perda de garantia e das assistência, desta forma o produto deverá ser montado por profissional qualificado.
 3. Não está coberta pela garantia problemas que tenham origem em materiais defeituosos ou em uso incorreto do produto.
 4. Não são cobertos danos decorrentes de uso indevido do produto.
 5. Não são cobertos danos decorrentes de uso indevido do produto.
 6. Não são cobertos danos decorrentes de uso indevido do produto.
 7. Não são cobertos danos decorrentes de uso indevido do produto.
 8. Não são cobertos danos decorrentes de uso indevido do produto.
 9. Não são cobertos danos decorrentes de uso indevido do produto.
 10. Não são cobertos danos decorrentes de uso indevido do produto.

Assistência Técnica: Em caso de peças em assistência técnica é necessário que as mesmas sejam solicitadas junto a loja ou site no qual o produto foi adquirido ou instalado.

WARNINGS
 1. Read the manual instructions carefully before starting to assemble the furniture.
 2. The assembly must be done in clean and flat surface, we advise to put the product packaging on the floor, not to damage it during the assembling.
 3. The screws must be tightened periodically.
 4. Avoid mixing and contacting sharp objects.
 5. The physical fractured refers to the objects distributed all over the piece contact area.
 Cleaning and conservation
 Clean the product just with a soft, cleaned and dry cloth.
 Do not use abrasive or chemicals products.

Warranty
 1. The manufacturer is only responsible for product parts.
 2. Incorrect assembling will make you lose the guarantee.
 3. The assembly must be done in clean and flat surface, we advise to put the product packaging on the floor, not to damage it during the assembling.
 4. Avoid mixing and contacting sharp objects.
 5. The physical fractured refers to the objects distributed all over the piece contact area.
 Cleaning and conservation
 Clean the product just with a soft, cleaned and dry cloth.
 Do not use abrasive or chemicals products.

Assistência Técnica: Em caso de peças em assistência técnica é necessário que as mesmas sejam solicitadas junto a loja ou site no qual o produto foi adquirido ou instalado.

WARNINGS
 1. Read the manual instructions carefully before starting to assemble the furniture.
 2. The assembly must be done in clean and flat surface, we advise to put the product packaging on the floor, not to damage it during the assembling.
 3. The screws must be tightened periodically.
 4. Avoid mixing and contacting sharp objects.
 5. The physical fractured refers to the objects distributed all over the piece contact area.
 Cleaning and conservation
 Clean the product just with a soft, cleaned and dry cloth.
 Do not use abrasive or chemicals products.

Warranty
 1. The manufacturer is only responsible for product parts.
 2. Incorrect assembling will make you lose the guarantee.
 3. The assembly must be done in clean and flat surface, we advise to put the product packaging on the floor, not to damage it during the assembling.
 4. Avoid mixing and contacting sharp objects.
 5. The physical fractured refers to the objects distributed all over the piece contact area.
 Cleaning and conservation
 Clean the product just with a soft, cleaned and dry cloth.
 Do not use abrasive or chemicals products.

Assistência Técnica: Em caso de peças em assistência técnica é necessário que as mesmas sejam solicitadas junto a loja ou site no qual o produto foi adquirido ou instalado.

WARNINGS
 1. Read the manual instructions carefully before starting to assemble the furniture.
 2. The assembly must be done in clean and flat surface, we advise to put the product packaging on the floor, not to damage it during the assembling.
 3. The screws must be tightened periodically.
 4. Avoid mixing and contacting sharp objects.
 5. The physical fractured refers to the objects distributed all over the piece contact area.
 Cleaning and conservation
 Clean the product just with a soft, cleaned and dry cloth.
 Do not use abrasive or chemicals products.

Warranty
 1. The manufacturer is only responsible for product parts.
 2. Incorrect assembling will make you lose the guarantee.
 3. The assembly must be done in clean and flat surface, we advise to put the product packaging on the floor, not to damage it during the assembling.
 4. Avoid mixing and contacting sharp objects.
 5. The physical fractured refers to the objects distributed all over the piece contact area.
 Cleaning and conservation
 Clean the product just with a soft, cleaned and dry cloth.
 Do not use abrasive or chemicals products.

Assistência Técnica: Em caso de peças em assistência técnica é necessário que as mesmas sejam solicitadas junto a loja ou site no qual o produto foi adquirido ou instalado.

WARNINGS
 1. Read the manual instructions carefully before starting to assemble the furniture.
 2. The assembly must be done in clean and flat surface, we advise to put the product packaging on the floor, not to damage it during the assembling.
 3. The screws must be tightened periodically.
 4. Avoid mixing and contacting sharp objects.
 5. The physical fractured refers to the objects distributed all over the piece contact area.
 Cleaning and conservation
 Clean the product just with a soft, cleaned and dry cloth.
 Do not use abrasive or chemicals products.

Warranty
 1. The manufacturer is only responsible for product parts.
 2. Incorrect assembling will make you lose the guarantee.
 3. The assembly must be done in clean and flat surface, we advise to put the product packaging on the floor, not to damage it during the assembling.
 4. Avoid mixing and contacting sharp objects.
 5. The physical fractured refers to the objects distributed all over the piece contact area.
 Cleaning and conservation
 Clean the product just with a soft, cleaned and dry cloth.
 Do not use abrasive or chemicals products.

Assistência Técnica: Em caso de peças em assistência técnica é necessário que as mesmas sejam solicitadas junto a loja ou site no qual o produto foi adquirido ou instalado.

WARNINGS
 1. Read the manual instructions carefully before starting to assemble the furniture.
 2. The assembly must be done in clean and flat surface, we advise to put the product packaging on the floor, not to damage it during the assembling.
 3. The screws must be tightened periodically.
 4. Avoid mixing and contacting sharp objects.
 5. The physical fractured refers to the objects distributed all over the piece contact area.
 Cleaning and conservation
 Clean the product just with a soft, cleaned and dry cloth.
 Do not use abrasive or chemicals products.

Warranty
 1. The manufacturer is only responsible for product parts.
 2. Incorrect assembling will make you lose the guarantee.
 3. The assembly must be done in clean and flat surface, we advise to put the product packaging on the floor, not to damage it during the assembling.
 4. Avoid mixing and contacting sharp objects.
 5. The physical fractured refers to the objects distributed all over the piece contact area.
 Cleaning and conservation
 Clean the product just with a soft, cleaned and dry cloth.
 Do not use abrasive or chemicals products.

Assistência Técnica: Em caso de peças em assistência técnica é necessário que as mesmas sejam solicitadas junto a loja ou site no qual o produto foi adquirido ou instalado.

WARNINGS
 1. Read the manual instructions carefully before starting to assemble the furniture.
 2. The assembly must be done in clean and flat surface, we advise to put the product packaging on the floor, not to damage it during the assembling.
 3. The screws must be tightened periodically.
 4. Avoid mixing and contacting sharp objects.
 5. The physical fractured refers to the objects distributed all over the piece contact area.
 Cleaning and conservation
 Clean the product just with a soft, cleaned and dry cloth.
 Do not use abrasive or chemicals products.

Warranty
 1. The manufacturer is only responsible for product parts.
 2. Incorrect assembling will make you lose the guarantee.
 3. The assembly must be done in clean and flat surface, we advise to put the product packaging on the floor, not to damage it during the assembling.
 4. Avoid mixing and contacting sharp objects.
 5. The physical fractured refers to the objects distributed all over the piece contact area.
 Cleaning and conservation
 Clean the product just with a soft, cleaned and dry cloth.
 Do not use abrasive or chemicals products.

Assistência Técnica: Em caso de peças em assistência técnica é necessário que as mesmas sejam solicitadas junto a loja ou site no qual o produto foi adquirido ou instalado.

WARNINGS
 1. Read the manual instructions carefully before starting to assemble the furniture.
 2. The assembly must be done in clean and flat surface, we advise to put the product packaging on the floor, not to damage it during the assembling.
 3. The screws must be tightened periodically.
 4. Avoid mixing and contacting sharp objects.
 5. The physical fractured refers to the objects distributed all over the piece contact area.
 Cleaning and conservation
 Clean the product just with a soft, cleaned and dry cloth.
 Do not use abrasive or chemicals products.

Warranty
 1. The manufacturer is only responsible for product parts.
 2. Incorrect assembling will make you lose the guarantee.
 3. The assembly must be done in clean and flat surface, we advise to put the product packaging on the floor, not to damage it during the assembling.
 4. Avoid mixing and contacting sharp objects.
 5. The physical fractured refers to the objects distributed all over the piece contact area.
 Cleaning and conservation
 Clean the product just with a soft, cleaned and dry cloth.
 Do not use abrasive or chemicals products.

Assistência Técnica: Em caso de peças em assistência técnica é necessário que as mesmas sejam solicitadas junto a loja ou site no qual o produto foi adquirido ou instalado.

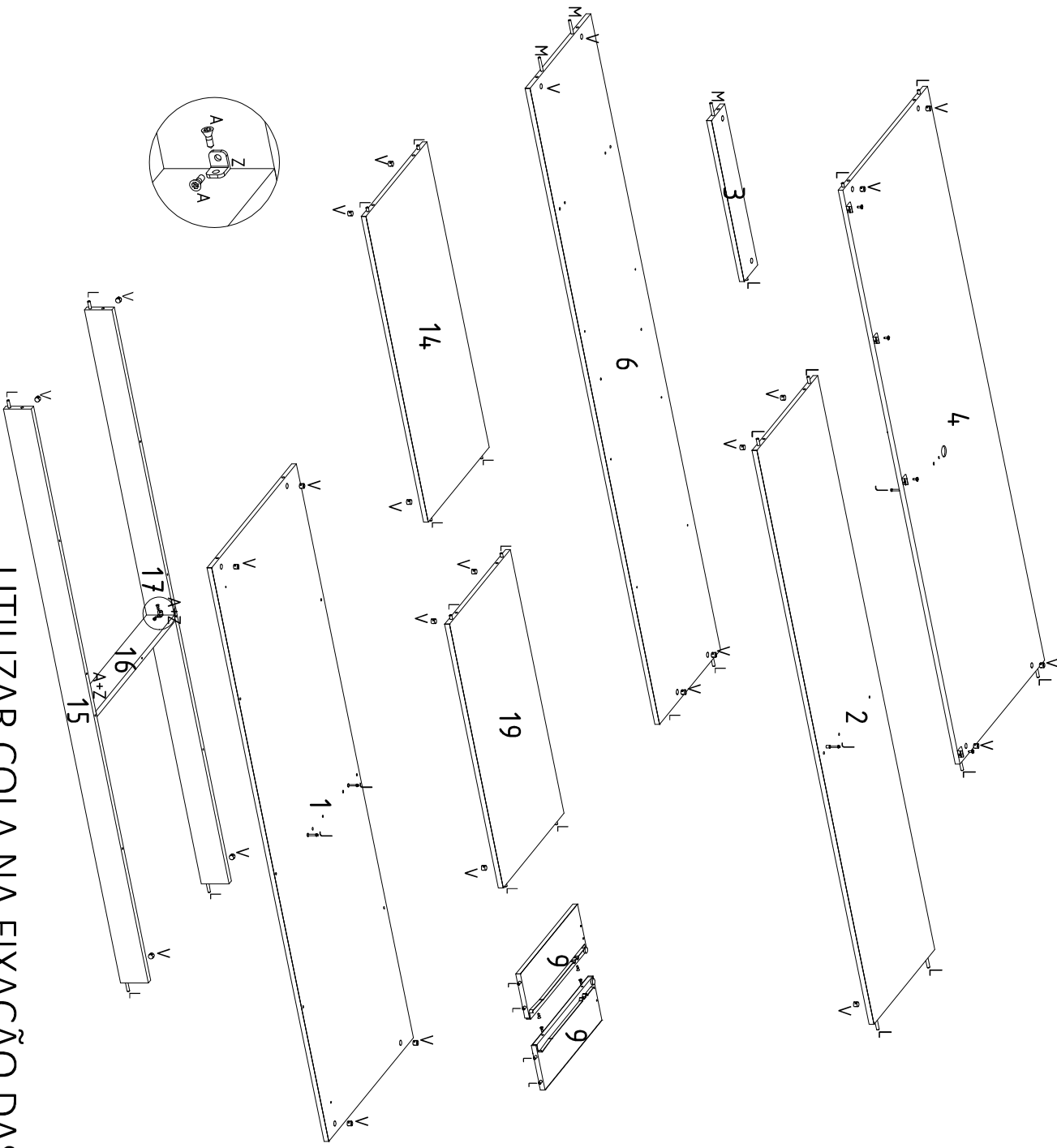
LISTA DE ACESSÓRIOS / LIST OF ACCESSORIES / LISTA DE ACCESORIOS

SEQ.	CODIGO	DESCRICOAO	DESCRIPTION_EN	DESCRIPTION_ES	QTD.
A	9905002	PARAFUSO 3,5 X 12 MM CHATA PHILIPS	PHILIPS FLAT HEAD SCREW	TORNILLO CHATA PHILIPS	68
AN	9904033	RODAPÉ MANGUETA PRAIA	HANDLE	MANEJO	1
B	9905003	PARAFUSO 3,5 X 12 MM FLANGEGADO PHILIPS	PHILIPS FLANGE SCREW	TORNILLO DE BRIDA PHILIPS	11
BC	9920085	SISTEMA PORTA CORRER KIT 02 PORTAS FOLDA ZERO GUIA VERDE - SEM ROLAMENTO	SLIDING DOOR SYSTEM	SISTEMA DE PUERTAS CORREDIZAS	18
C	9905046	PARAFUSO 3,5 X 14 MM CHATA PHILIPS	PHILIPS FLAT HEAD SCREW	TORNILLO CHATA PHILIPS	1
CA	NOVO	TRIPLIO DUPLO INFERIOR 1479 MM LAR 44 ALUMINIO CDD 1055 PRAIA	LOWER DOUBLE RAIL	RAIL DOBLE INFERIOR	1
CB	NOVO	TRIPLIO SUPERIOR 1479 MM LAR 44 ALUMINIO CDD 1055 PRAIA	TOP RAIL L	RAIL SUPERIOR	1
CB	9905018	PARAFUSO 3,5 X 25 MM CHATA PHILIPS	PHILIPS FLAT HEAD SCREW	TORNILLO CHATA PHILIPS	18
D	9901091	CABIDEIRO OBLONGADO 872 X 23 X 153 MM ALUMINIO	HANGER	PERCHERO	1
EA	9902031	MOLDURA DE ALUMINIO 2086 X 153 MM CHAPA 15	ALUMINIUM FRAME	MARCO DE ALUMINIO	4
H	9905045	PARAFUSO 4 X 15 MM CHATA PHILIPS	PHILIPS FLAT HEAD SCREW	TORNILLO CHATA PHILIPS	33
IA	9928809	PERFIL H 1638 X 16 X 6 MM PLASTICO	PLASTIC H STRIP	TIRA PLASTICA H	1
J	9920029	PINO MINIFIX 12 MM	MINIFIX PIN	PINO MINIFIX	4
K	9920009	CASTANHA MINIFIX 12 MM	MINIFIX CHESTNUT	LOS SIMPSON	4
L	9920011	CAVILHAS 6 X 30 MM	WOODEN BEG	CLAVIA DE MADEIRA	30
LA	9917046	ESPELHO 770 X 508 X 3 MM FIBRADO	MIRROR	ESPEJO	3
M	9920012	CAVILHAS 6 X 30 MM	WOODEN PEG	CLAVIA DE MADEIRA	3
N	9913017	CORREDEJA 350 MM METAL LIGHT BIGFER ALBRAS	METAL SLIDE	RIEL METALICO	4
OA	9912006	SACHEI DE COLA 08 GRAMAS	GLUE	COLA	1
OB	9905029	PARAFUSO 3,5 X 16 MM CHATA PHILIPS	PHILIPS FLAT HEAD SCREW	TORNILLO CHATA PHILIPS	8
OC	9920033	BURÇA PARA FIXAÇÃO DE ESPELHO	MIRROR BUSHING BUSHING	CASQUILLO DE RETENCIÓN	8
R	9920025	FIXADOR 90 GRADOS	90 DEGREE FASTENER	FIXADOR 90 GRADOS	4
S	9920028	FIXADOR DE FUNDO 10 X 10 MM	WOOD FASTENER	FIXADOR DE FUNDO	25
S2	9920028	SUPORTE TRIANGULAR 14 X 14	TRIANGULAR SUPPORT	APOYO TRIANGULAR	2
S3	9920038	SUPORTE LADO OBLONGO 20 MM	HANGER SUPPORT	SOPORTE DE PERCHERO	2
TA	9920066	CARTELA DE SILICONE 10 FIMOS	SILICONE ADHESIVE	ADHESIVO DE SILICONA	1
TB	9924027	TAPA FUDDO 18MM ADISIVO	SHOE CAP	TAPA HUEDOS	30
U	9924002	MINI SARRAIA 15 MM	MINI SHOE	MINI SARRAIA	6
V	9920039	BORCA CILINDRICA 9 X 12 MM	CYLINDRICAL NUT	TUBERCA CILINDRICA	26
W	9906001	PREÇO 12X12 MM	NAIL	CLAVO	15
X	9906002	PREÇO 9X9 MM	NAIL	CLAVO	6
Z	9920007	CANTONEIRA ZINCAK 12 MM	METAL ANGLE BRACKET	ESQUINERAS METALICAS	10

Assistência Técnica: Em caso de peças em assistência técnica é necessário que as mesmas sejam solicitadas junto a loja ou site no qual o produto foi adquirido ou instalado.

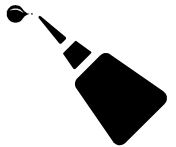


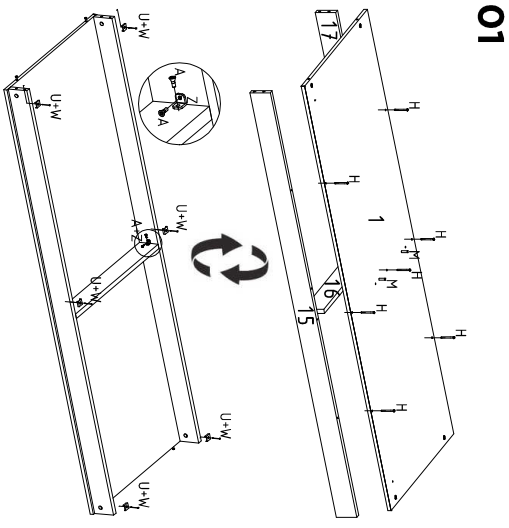
PRÉ-MONTAGEM DAS PEÇAS | PRE-ASSEMBLING PARTS | PREMONTAJE DE LAS PIEZAS



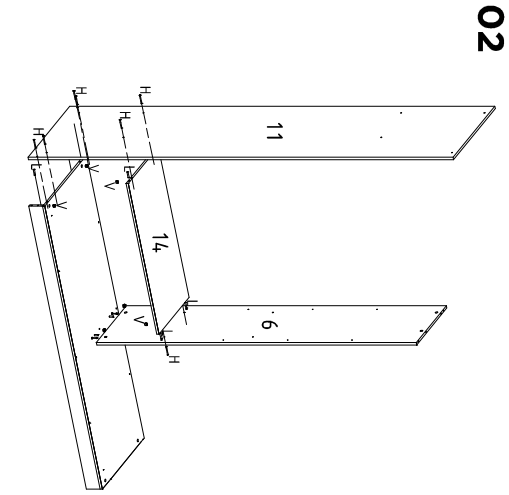
UTILIZAR COLA NA FIXAÇÃO DAS CAVILHAS

USE GLUE TO SECURE THE DOWELS | UTILICE PEGAMENTO PARA FIJAR LOS TARUGOS DE MADERA

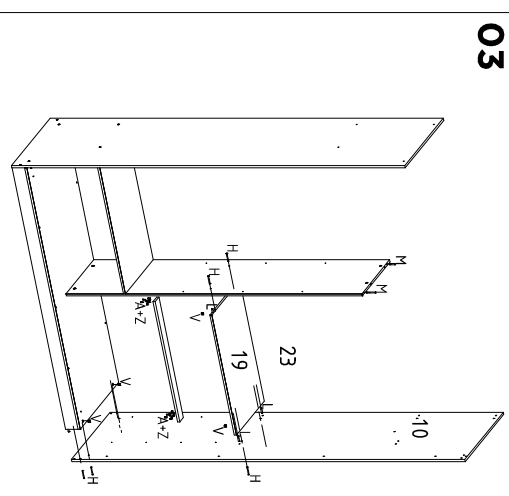




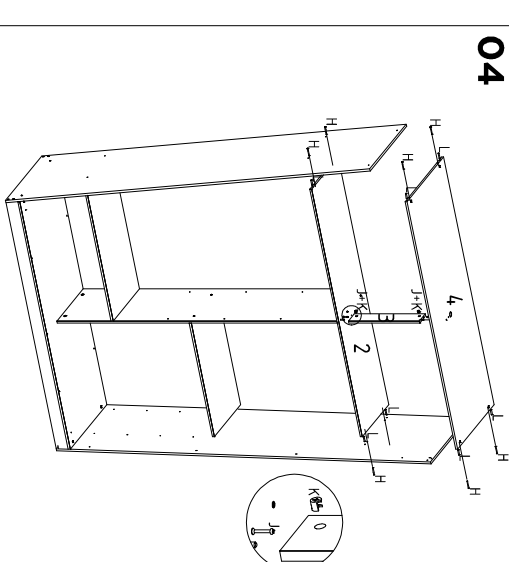
01



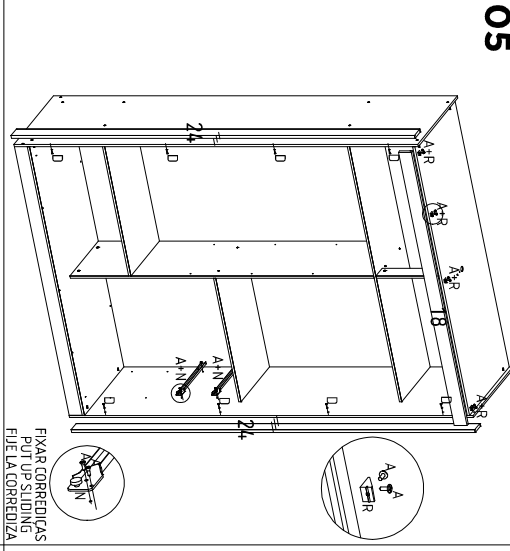
02



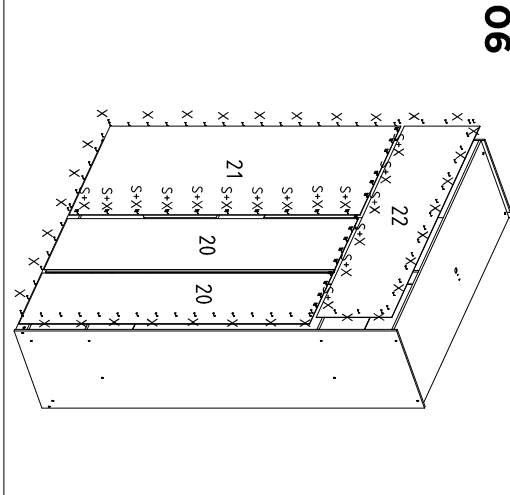
03



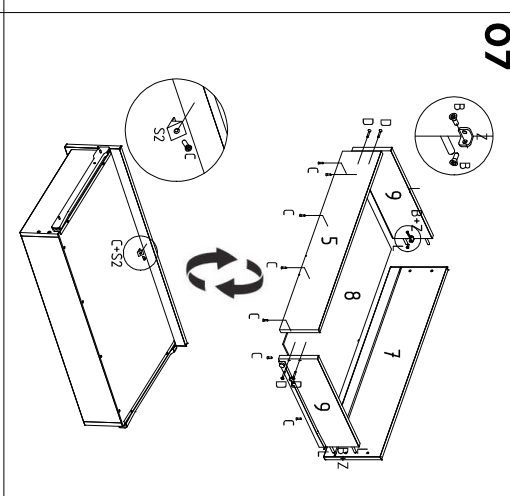
04



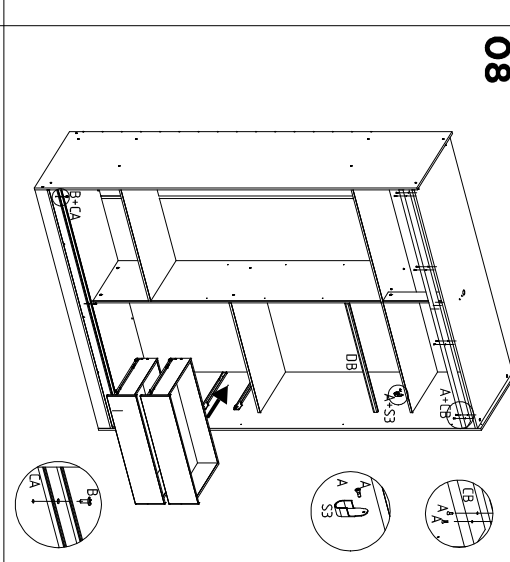
05



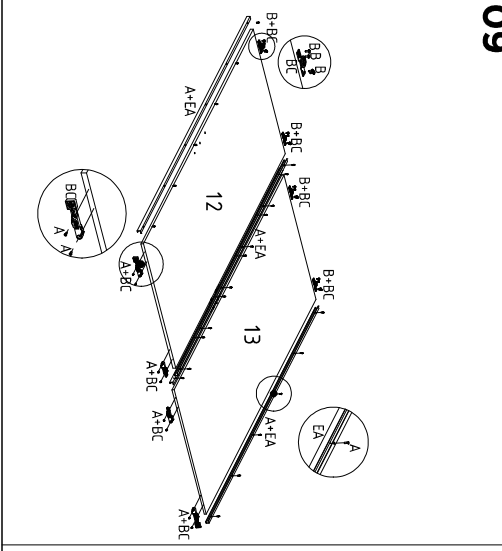
06



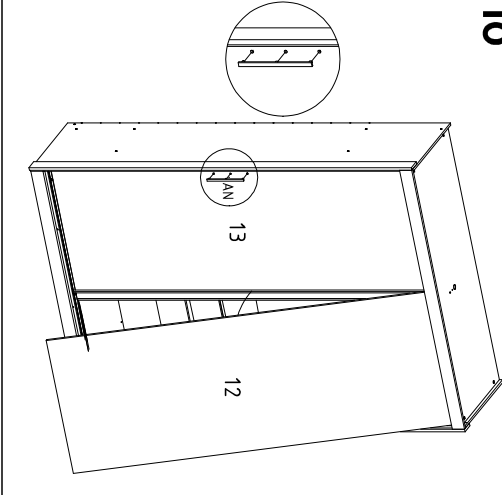
07



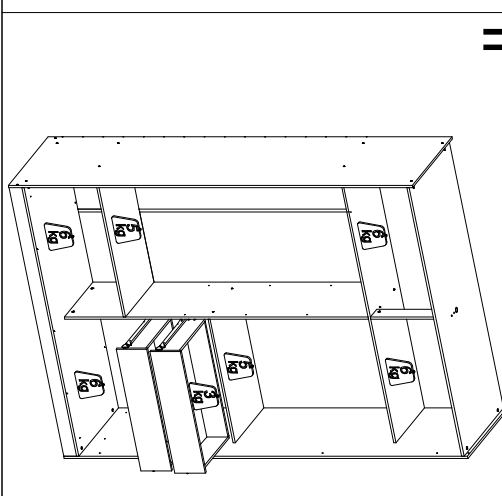
08



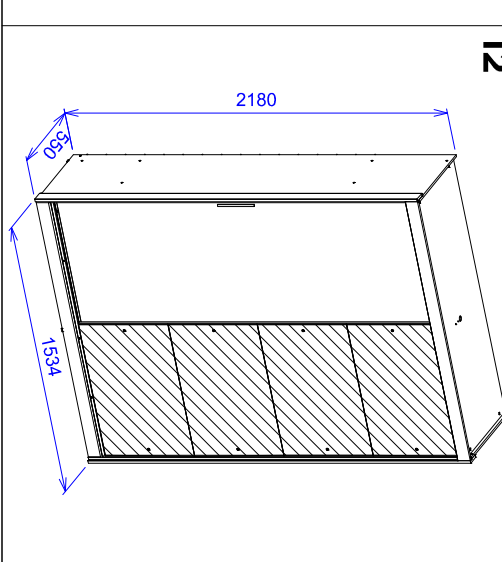
09



10



11



12

PIVAR CORREDIZAS
PUNTO UNIV
FILE LA CORREDIZA