

WALKER EDISON
TM

MIA MODULAR TALL CABINET

SKU# WEMIA31362

LOT: AT-2528-5984

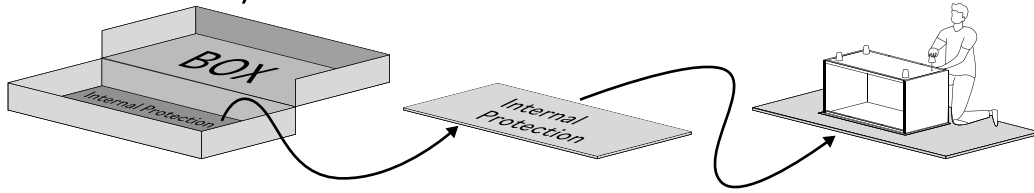


For Residential Use Only

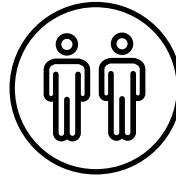
Please visit our website for the most current instructions, assembly tips, report damage, or request parts. www.walkeredison.com

WE Time to get started

Set up a clean and soft workplace to avoid damage during assembly. You can use the box and internal protections as a cover. It also helps to double-check if you have got all the pieces and parts before diving into the assembly.



**Estimated time
for assembly**



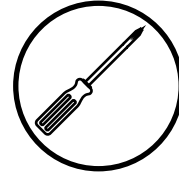
2 People Build

**People recommended
for assembly**

Make it a team effort!
Grab a friend for quicker,
easier assembly.

Tools Needed

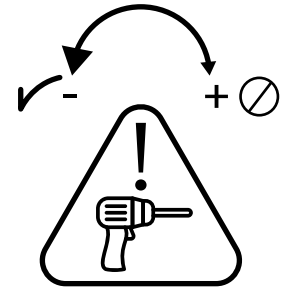
Grab a Phillips screwdriver to conquer this assembly.



Use power tools with caution

This furniture is made of Solid Wood and Composite Wood, soft materials. If you choose to use power tools, set it to the slower setting. Be careful! Power tools can cause cracking or damage to the furniture, they can also damage the hardware if misused.

Power tool damages are not covered by the Walker Edison warranty.



Scan to get assembly tips and help!



Parts List

Part Number	Description	Quantity
01	Bottom Panel	1
02	Left Panel	1
03	Top Panel	1
04	Right Panel	1
05	Shelf	1
06	Back Panel	1
07	Foot	5
08	Door	2
09	Glass Door Front	2
10	Top Rail	1
11	Shelf Rail	1

WALKER EDISON

Distribution and responsible for the anti-tip hardware:
Walker Edison Furniture Company
1553 W 9000 S, West Jordan,
UT 84088 United States

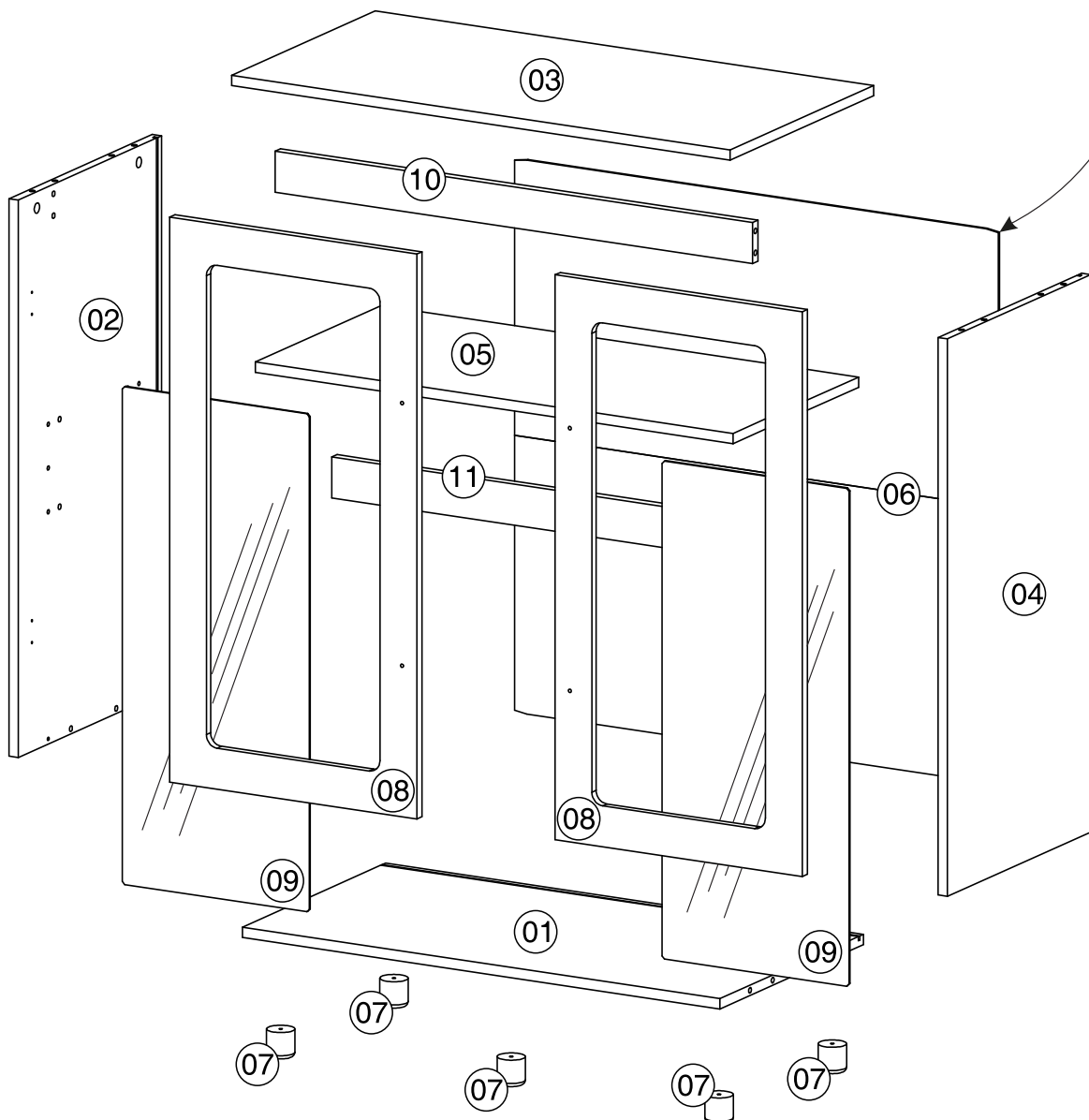
For details on Assembly Videos, Assembly Instructions,
Replacement Parts and Customer Service, SCAN HERE.

Collection Name

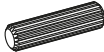
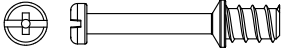
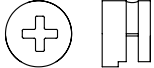


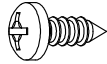
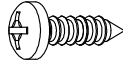
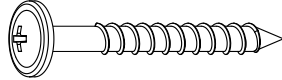

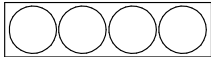


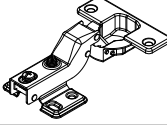

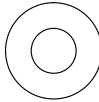
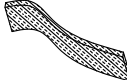
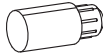


Model: XXXXXXXXFF
LOT: AAYYWW-XXX
Date: MM/20YY
Rev. MM/20YY-VX

CANFER compliant / conforme au CANFER
TSCA Title VI compliant / conforme au titre VI de la TSCA
TSCA Title VI certified / certifié conformément au titre VI de la TSCA
California 93120 Compliant for Formaldehyde /
Conforme à la norme Californie 93120 pour le formaldéhyde.



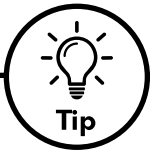
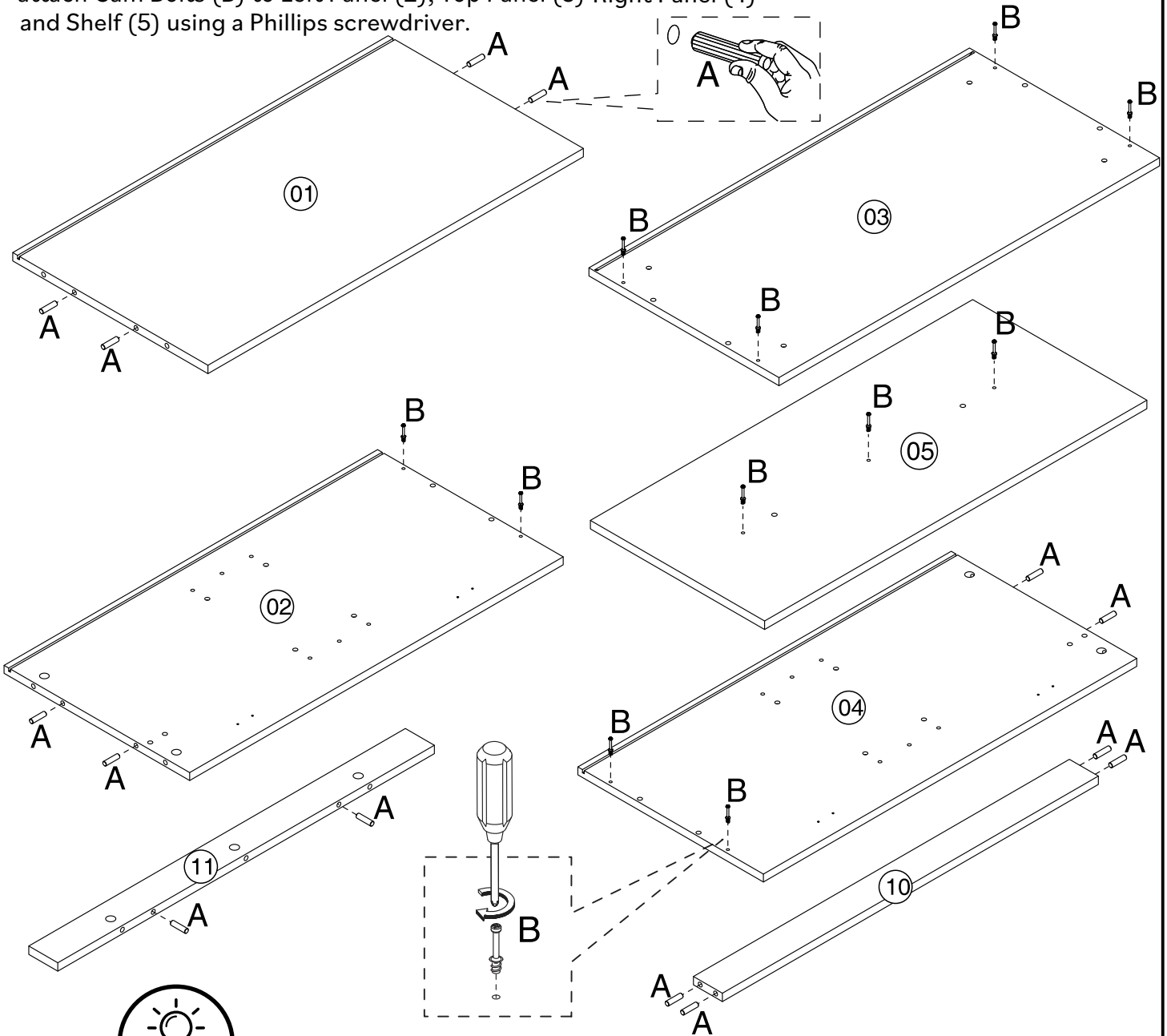
WE Hardware List

Part	Size	Name	Quantity
A	 8x30mm	Wooden dowel	14
B	 Ø7x30mm	Cam Bolt	11
C	 Ø15x10mm	Cam Lock	11
D	 Ø3.5x12mm	Screw	20
E	 Ø3.5x25mm	Screw	4
F	 Ø4x14mm	Screw	24
G	 Ø4x20mm	Screw	5
H	 Ø5x40mm	Screw	5
I	 Ø3x16mm	Screw	8
J	 Ø 19mm	Sticker	19
K	 14.7x30mm	Support	8
L	 224mm	Handle	2
M	 Ø35mm	Metal Hinge	4
N	 25x12mm	Door Latch	20
O	 1/4x5/8	Washer	02
P	 20x200mm	Wall Anchor	01
Q	 6x18mm	Shelf Support	04

*The hardware quantities listed above are required for proper assembly.
Extra hardware pieces may be included.*

Step 1

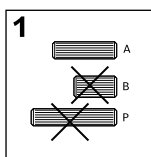
Let's get started! Insert Wooden Dowels (A) into Bottom Panel (1), Left Panel (2), Right Panel (4), Top Rail (10) and Shelf Rail (11). Also, attach Cam Bolts (B) to Left Panel (2), Top Panel (3) Right Panel (4) and Shelf (5) using a Phillips screwdriver.



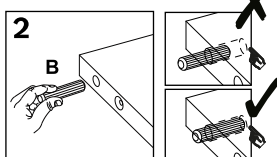
Wooden Dowels

Dowels are essential in furniture assembly to create strong, precise connections. They ensure structural integrity, prevent shifting, and simplify alignment, resulting in sturdier, longer-lasting furniture.

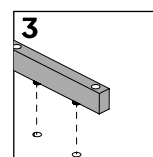
Follow these steps:



1: Select the appropriate size dowel according with step.



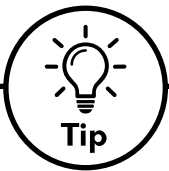
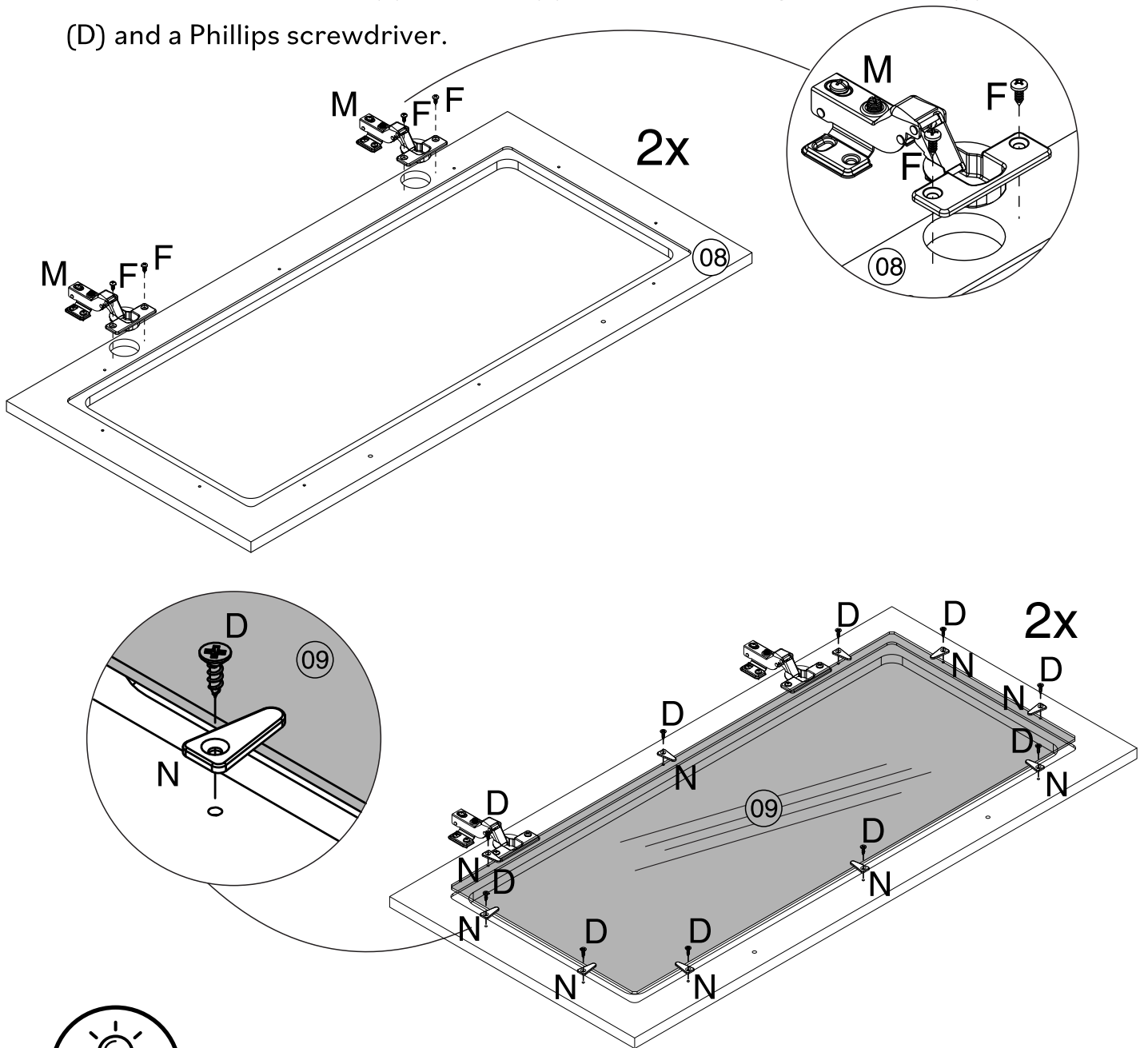
2: Insert into drilled hole and press firmly to ensure placement is set.



3: Align the dowel with corresponding piece and press together until secure.

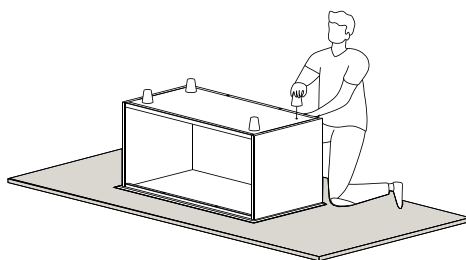
Step 2

Attach Hinges (M) to Doors (8) using Screw (F) and a Phillips screwdriver.
Insert Glass Door Front (9) in Doors (8) and secure using Door Latch (N), Screw (D) and a Phillips screwdriver.



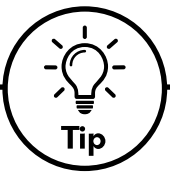
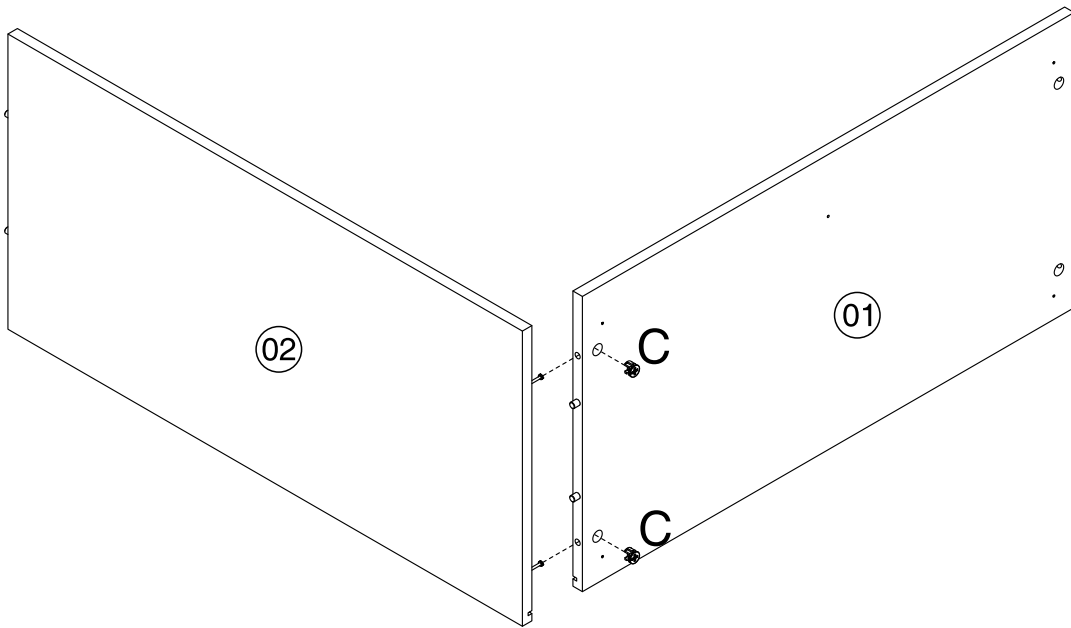
Tip

To keep your product looking its best and scratch-free, try assembling it on a soft surface like carpet or a blanket. This helps prevent any accidental scratches and keeps your furniture in top shape!



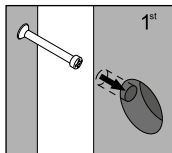
Step 3

Join Bottom Panel (1) and Left Panel (2) using Cam Locks (C) and a Phillips screwdriver.

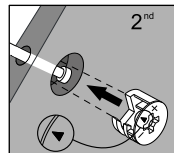


Cam Locks

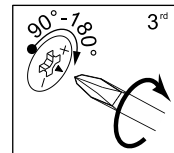
Cam Locks help to securely join two pieces together.
Follow these easy steps.



1: Insert Cam Bolt into bolt holes on the flat side. Don't over tighten!

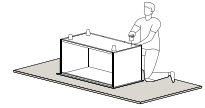


2: Assemble both parts together. The cam bolts go in the drill holes that have a circular hole on the side, you should be able to see the cam bolts through it. After fitting parts together insert the cam lock on the side holes.

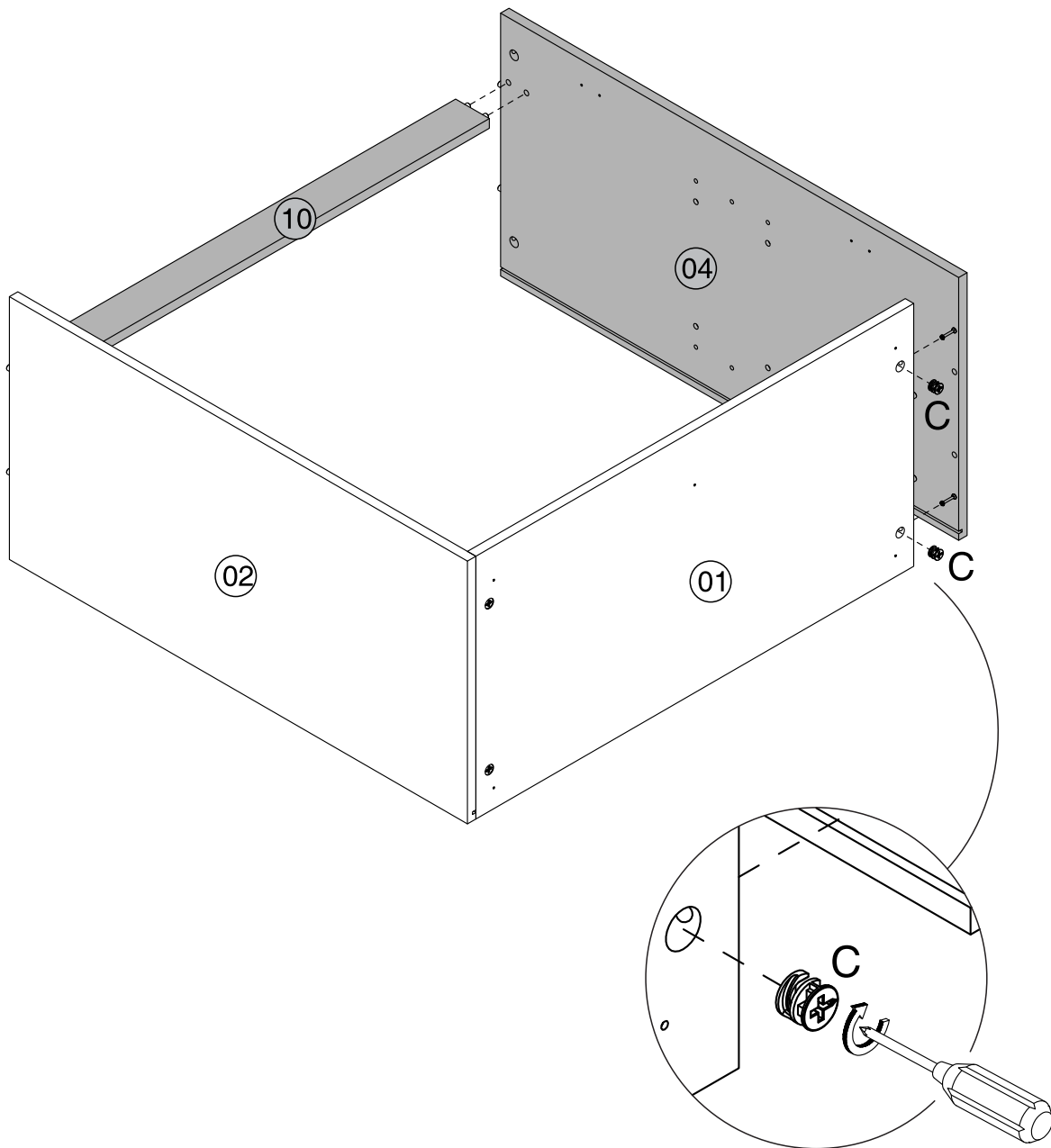


3: On the back of the Cam Lock will be a "C" shape. Insert the Cam Lock so the opening of the "C" fits over the Cam Bolt. Tighten with

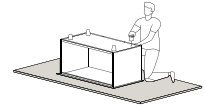
Step 4



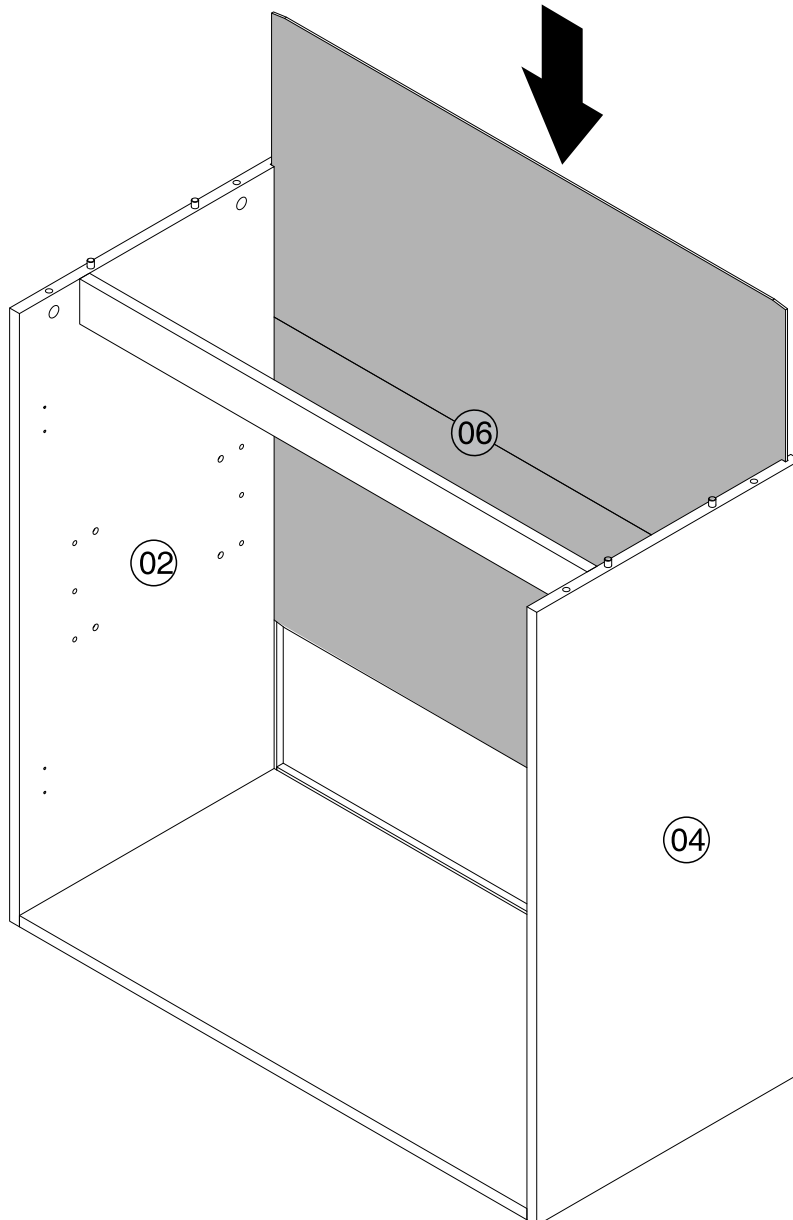
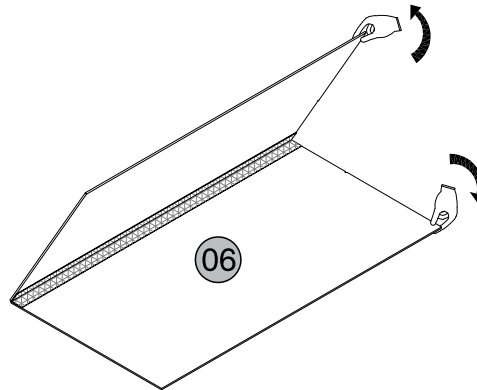
Secure Top Rail (10) and Right Panel (4) using dowels, Cam Locks (C) and a Phillips screwdriver.



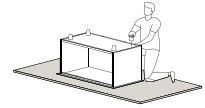
Step 5



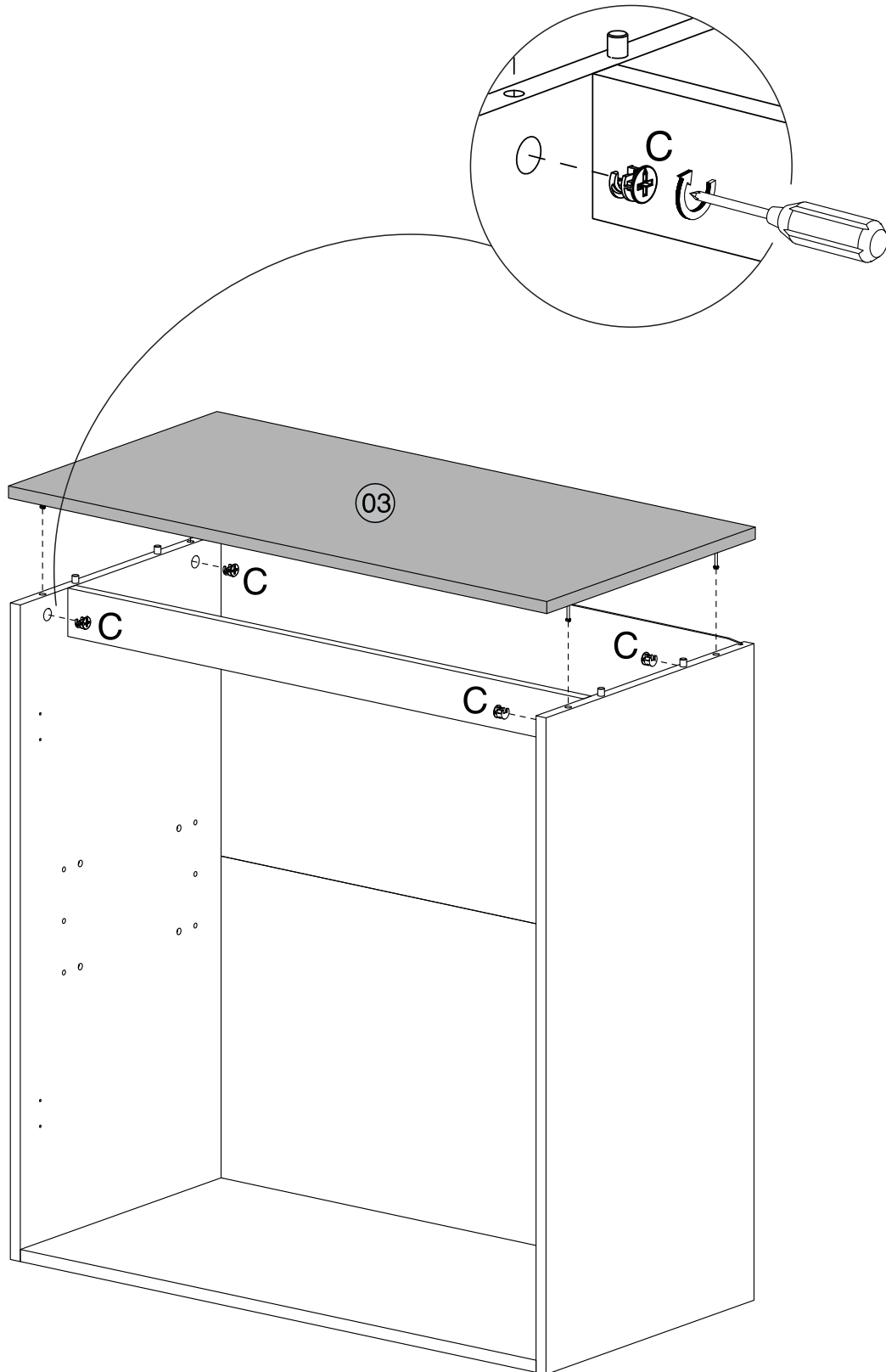
Slide Back Panel (6) between the grooves on Left Panel (2) and Right Panel (4) fitting in Bottom Panel (1).



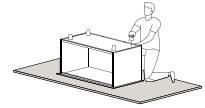
Step 6



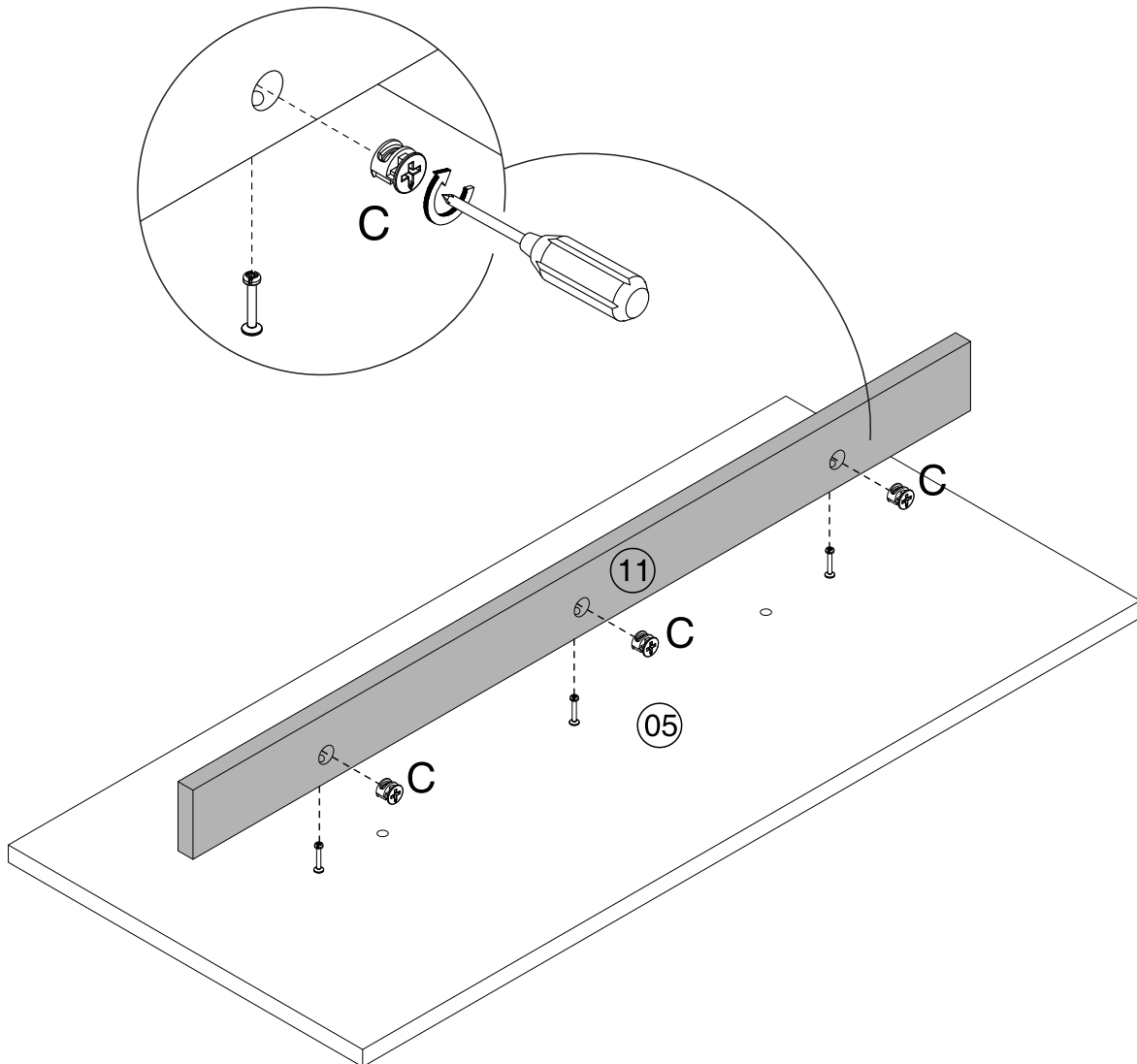
Attach Top Panel (3) to Left Panel (2) and Right Panel (4) using Cam Locks (C) and a Phillips screwdriver.



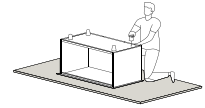
Step 7



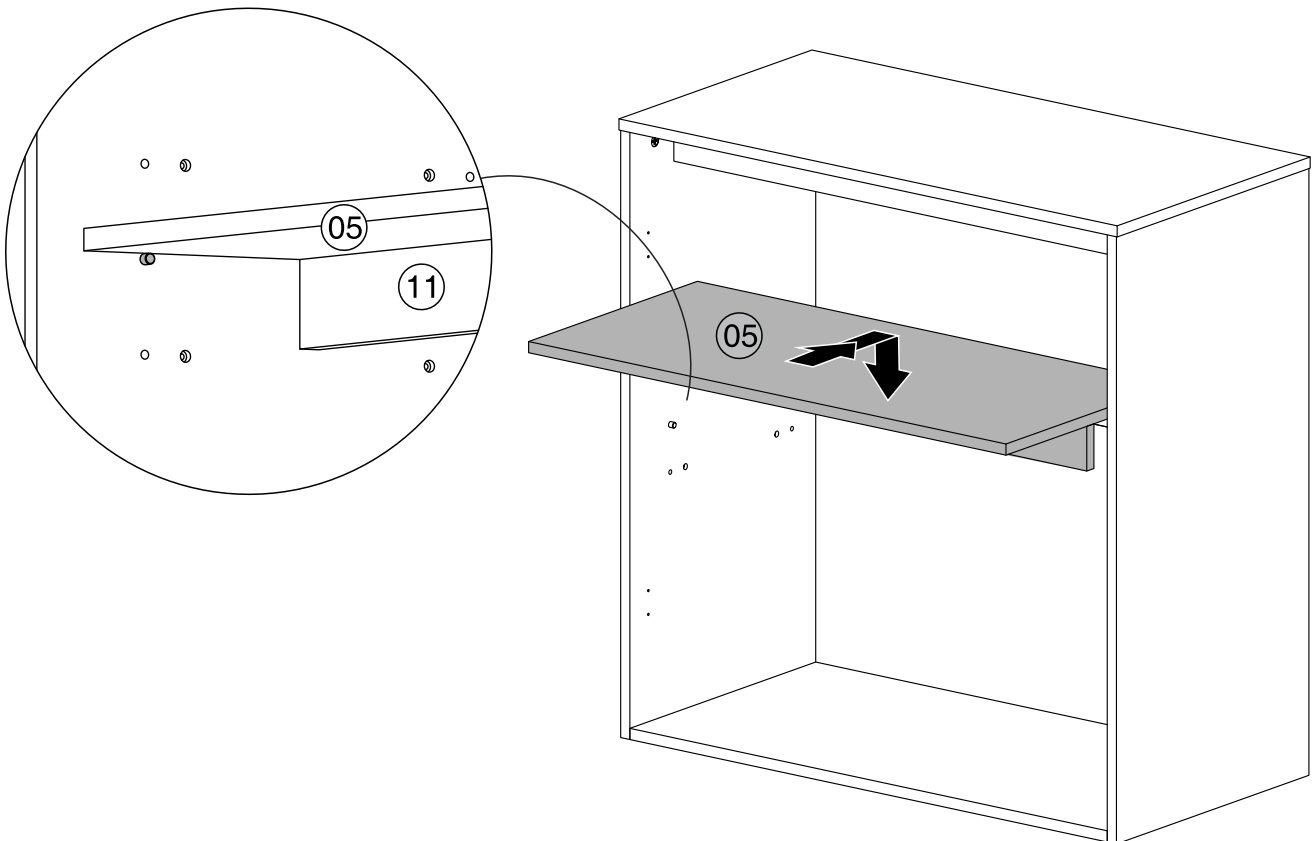
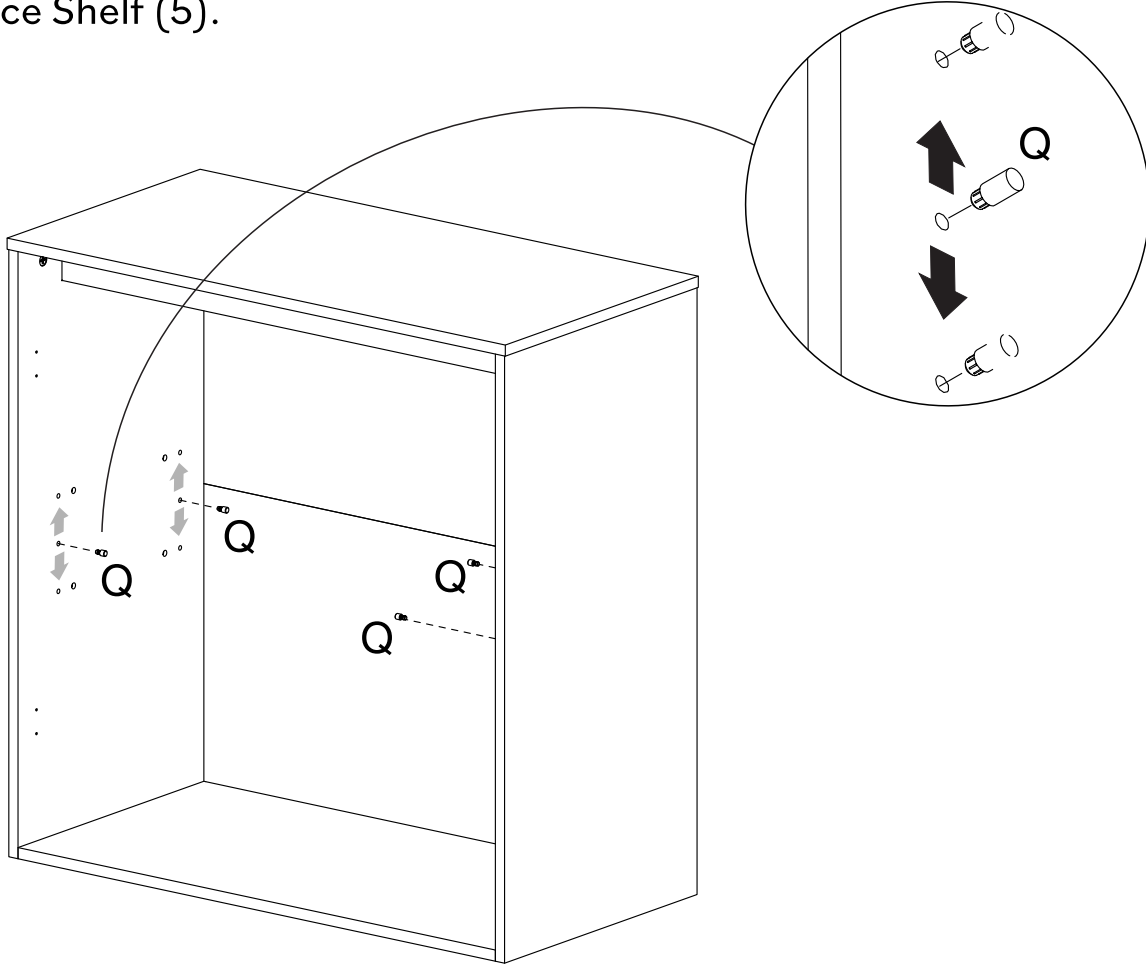
Secure Shelf Rail (11) to Shelf (5) using Cam Locks (C) and a Phillips screwdriver.



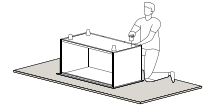
Step 8



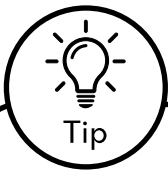
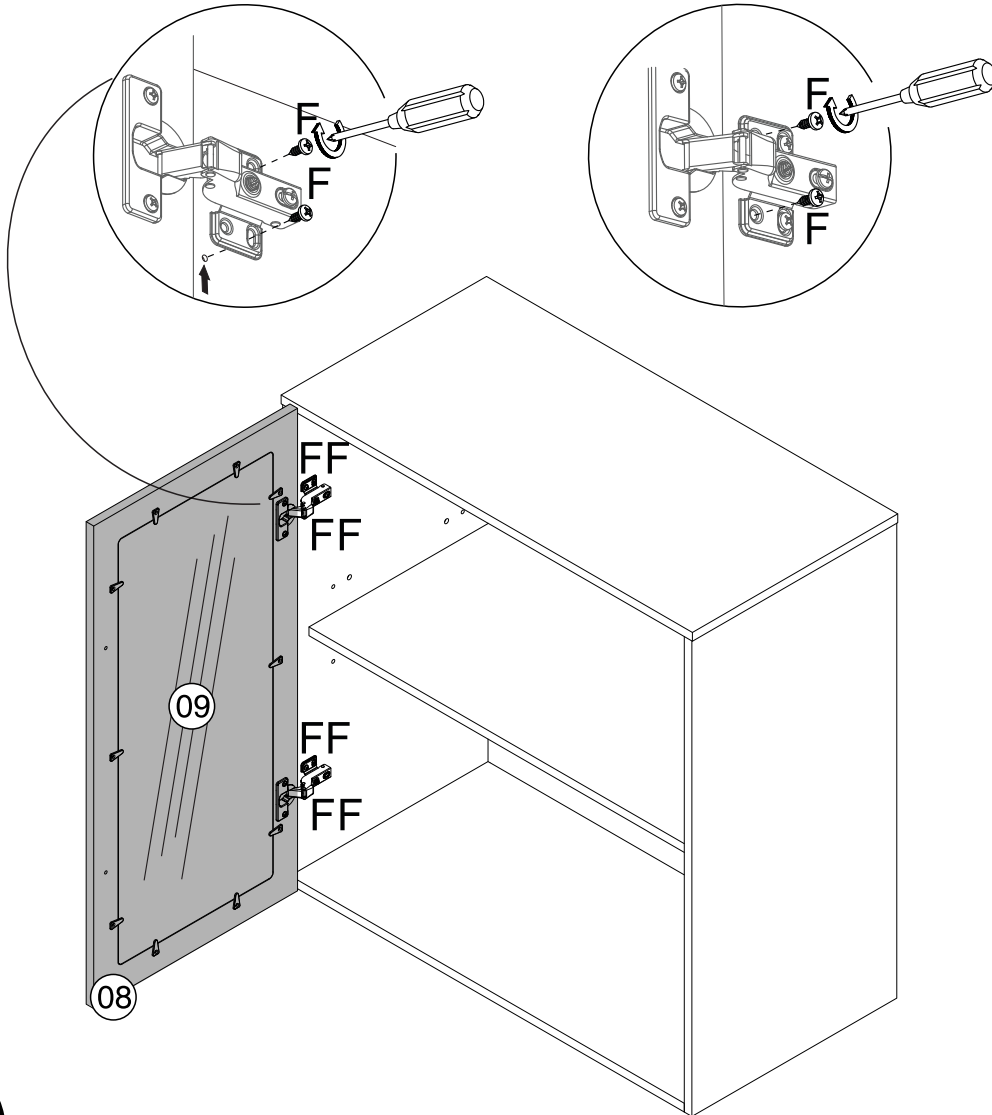
Insert Shelf Support (Q) on the holes in the middle of Side Panels. Then, place Shelf (5).



Step 9

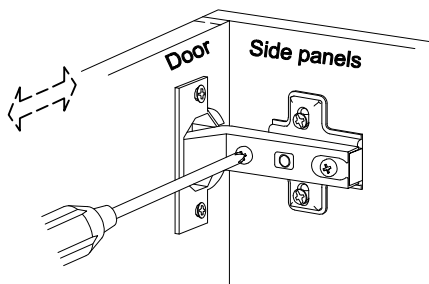


Attach Door (8) on Left Panel (2) using Screws (F) and a Phillips screwdriver.

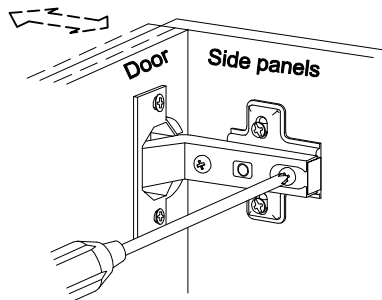


Tip

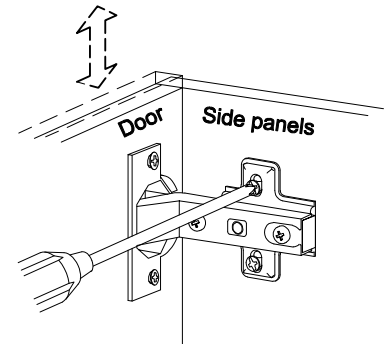
Adjusting The Cabinet Doors



Adjust horizontal width with this screw

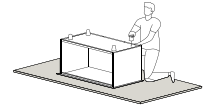


Adjust depth position by loosening the hinge arm mounting screw

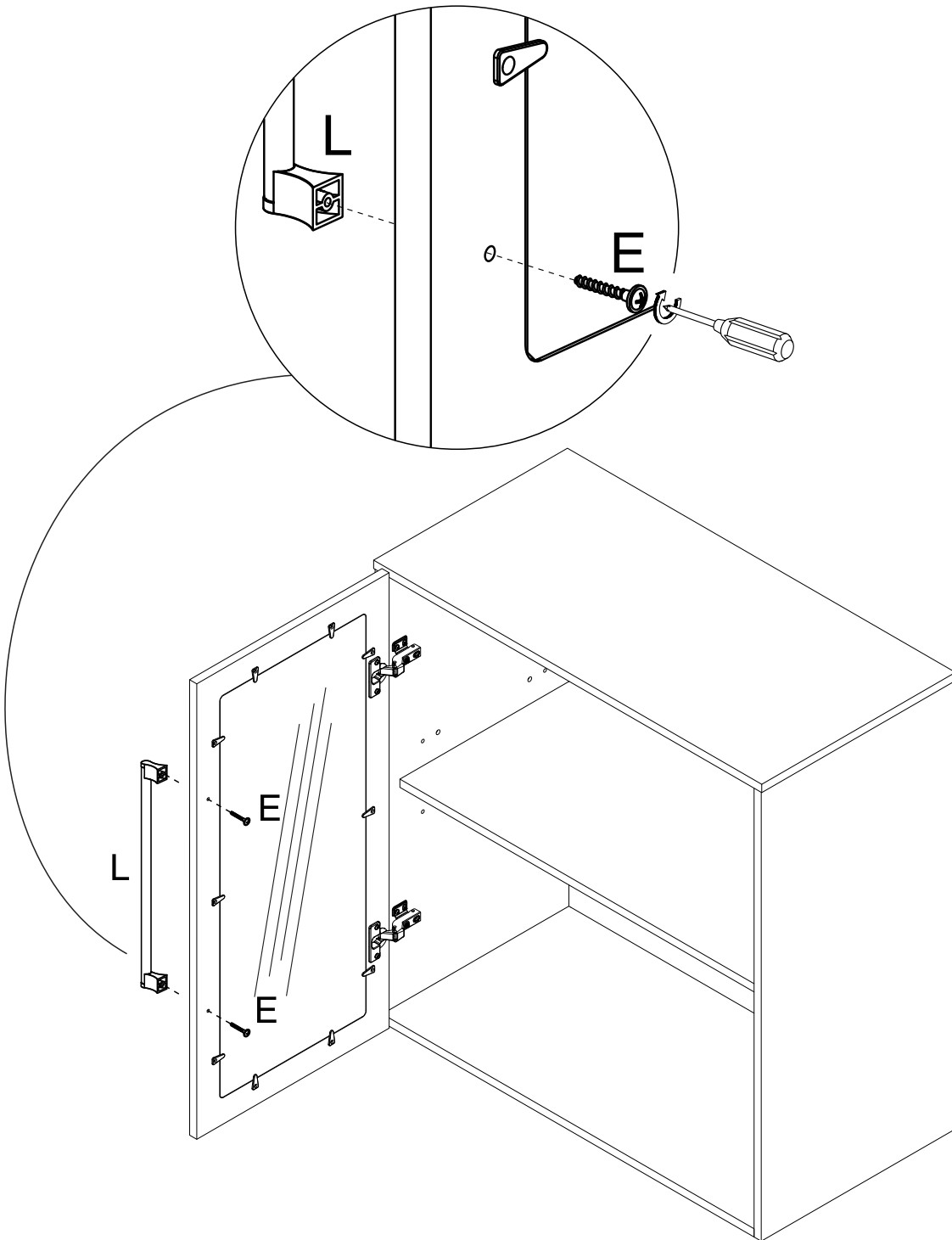


Adjust vertical height via the screws in the mounting plate

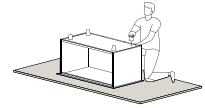
Step 10



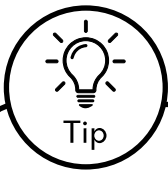
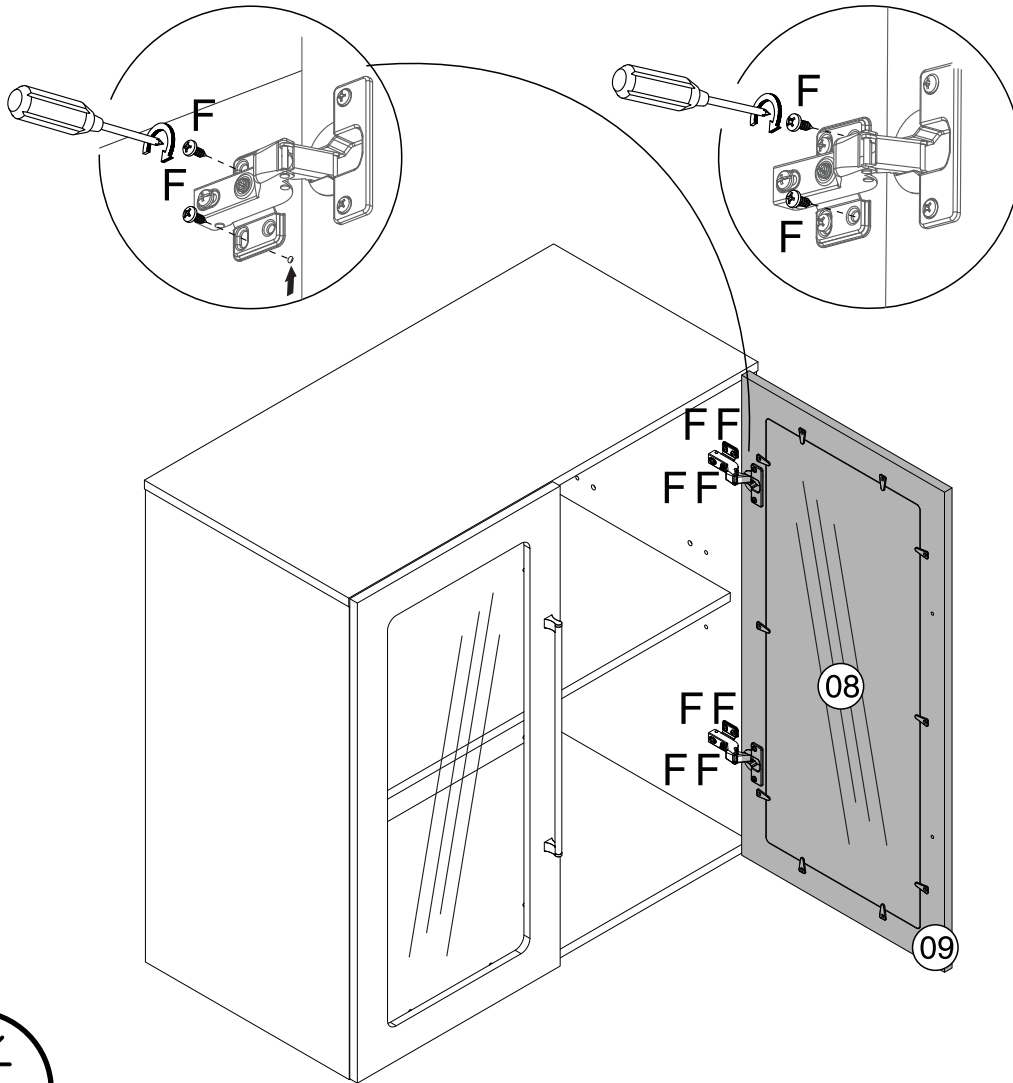
Secure Handle (L) using Screw (E) and a Phillips screwdriver.



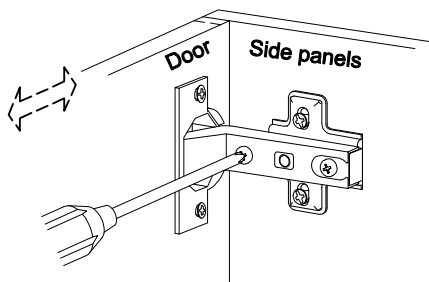
Step 11



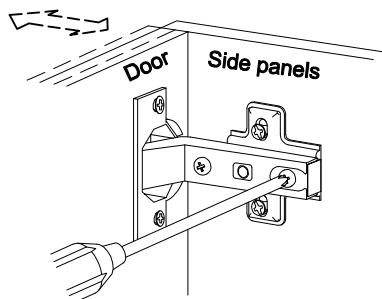
Attach Door (9) on Right Panel (4) using Screws (F) and a Phillips screwdriver.



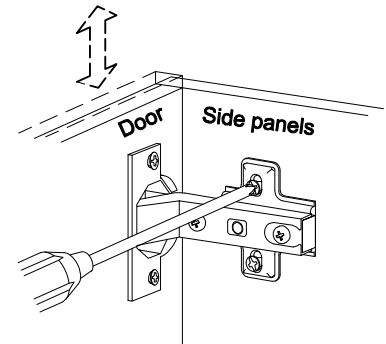
Adjusting The Cabinet Doors



Adjust horizontal width with this screw



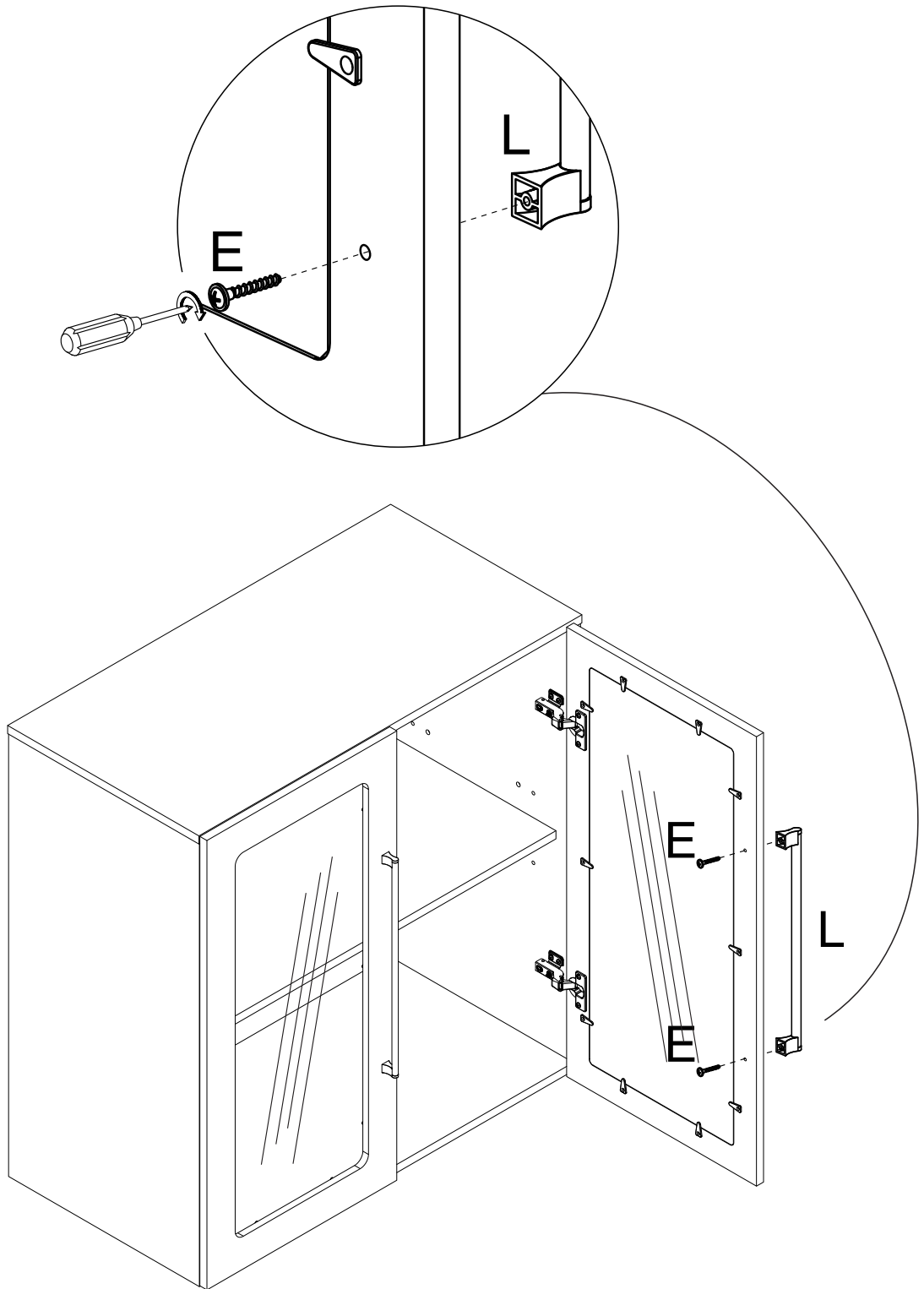
Adjust depth position by loosening the hinge arm mounting screw



Adjust vertical height via the screws in the mounting plate

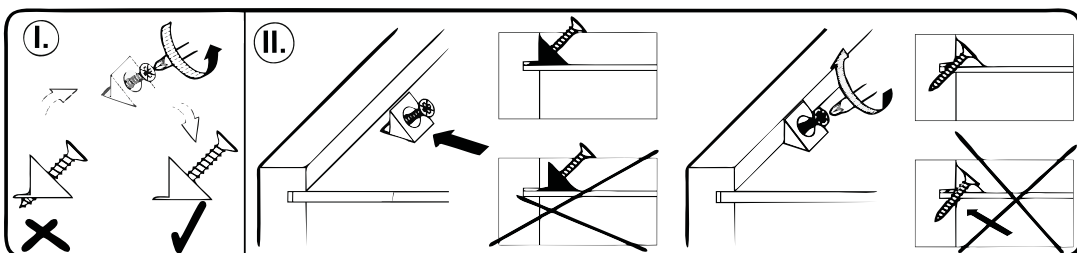
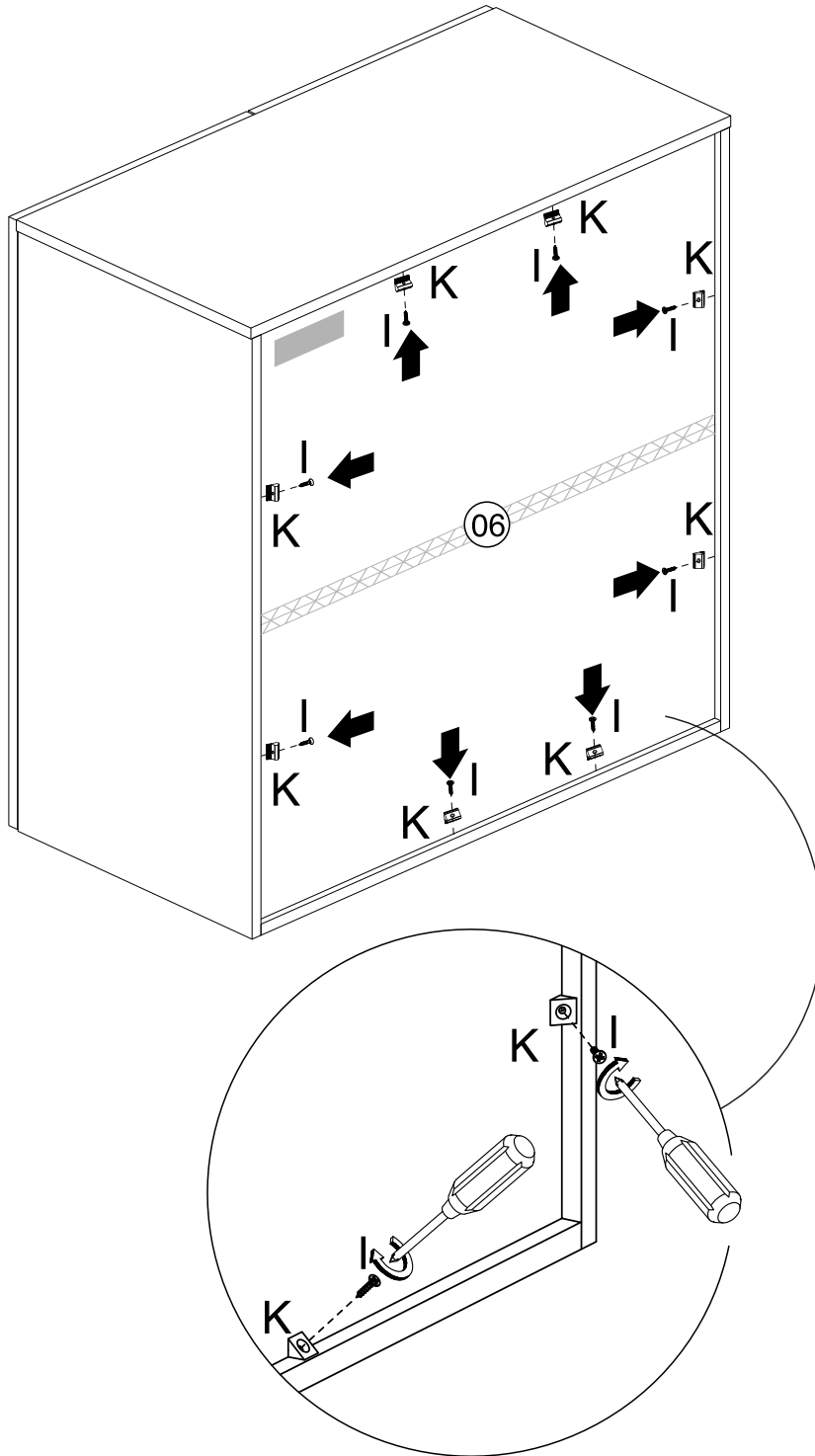
Step 12

Secure Handle (L) using Screw (E) and a Phillips screwdriver.



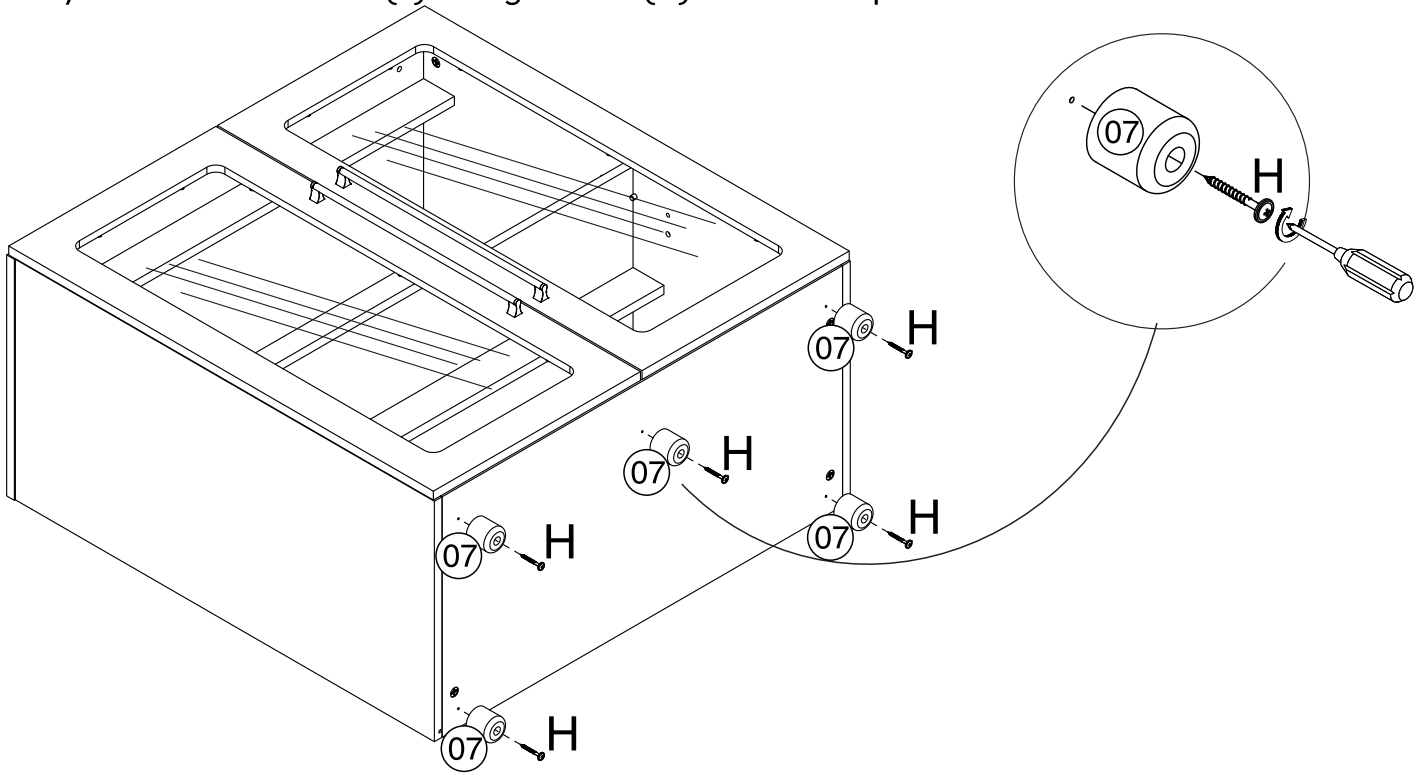
Step 13

Secure Back Panel (6) using Support (K), Screw (I) and a Phillips screwdriver.



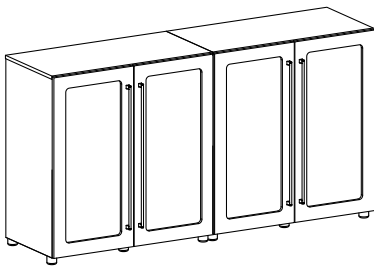
Step 14

If you are not using your new cabinet on top of another Modular Mia Cabinet, you can attach Feet (7) using Screw (H) and a Phillips screwdriver.

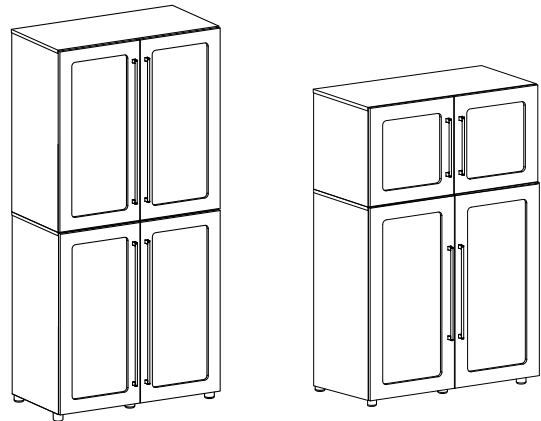


Modular Assembly Options

Step 15

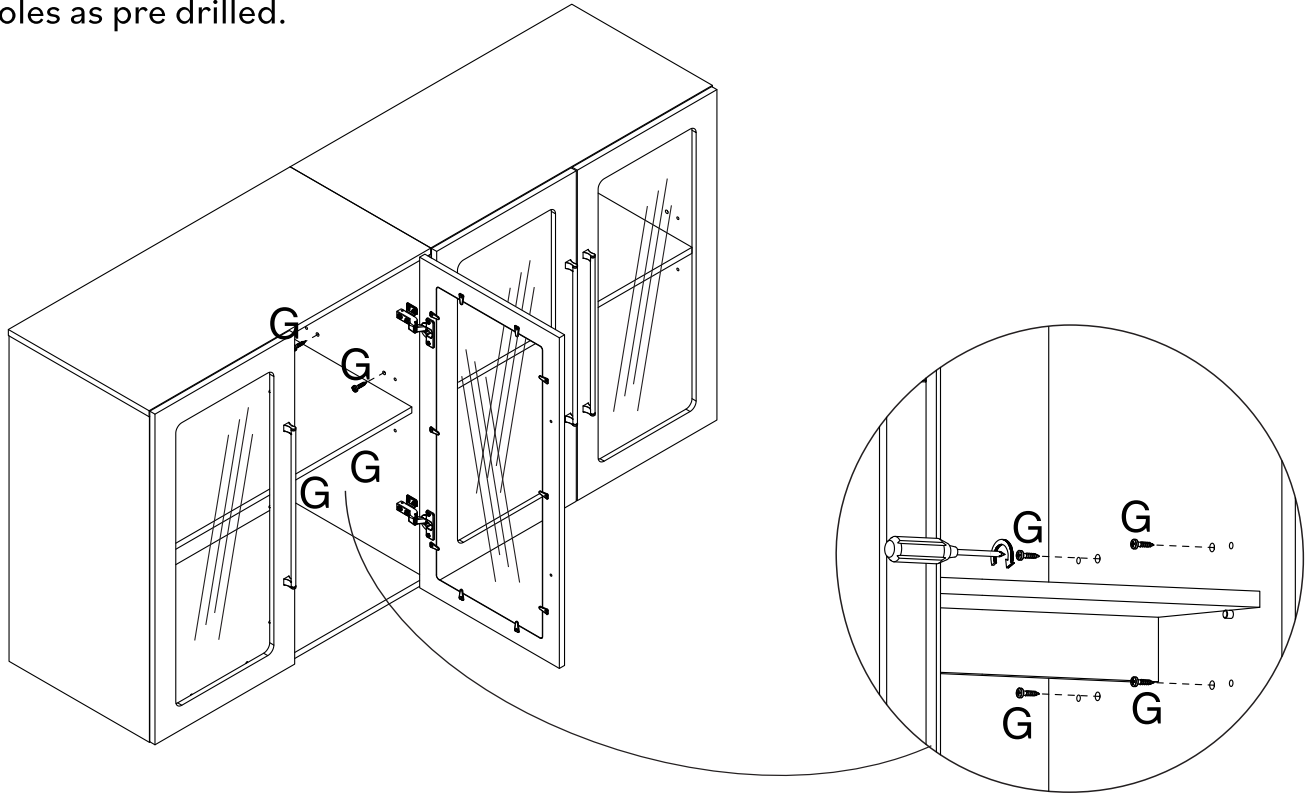


Step 16



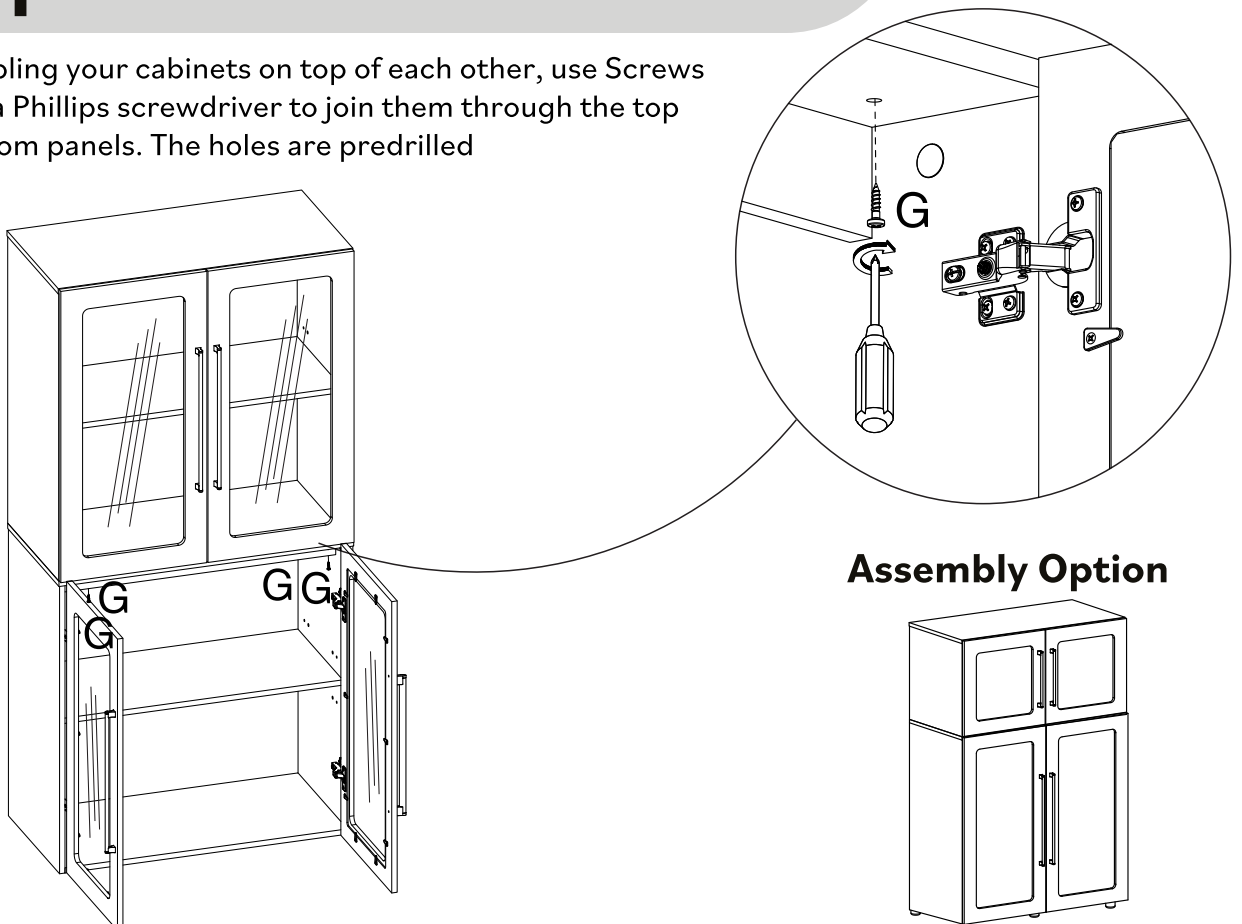
Step 15

Attach your cabinets side by side using Screws (G) and a Phillips screwdriver. The holes as pre drilled.



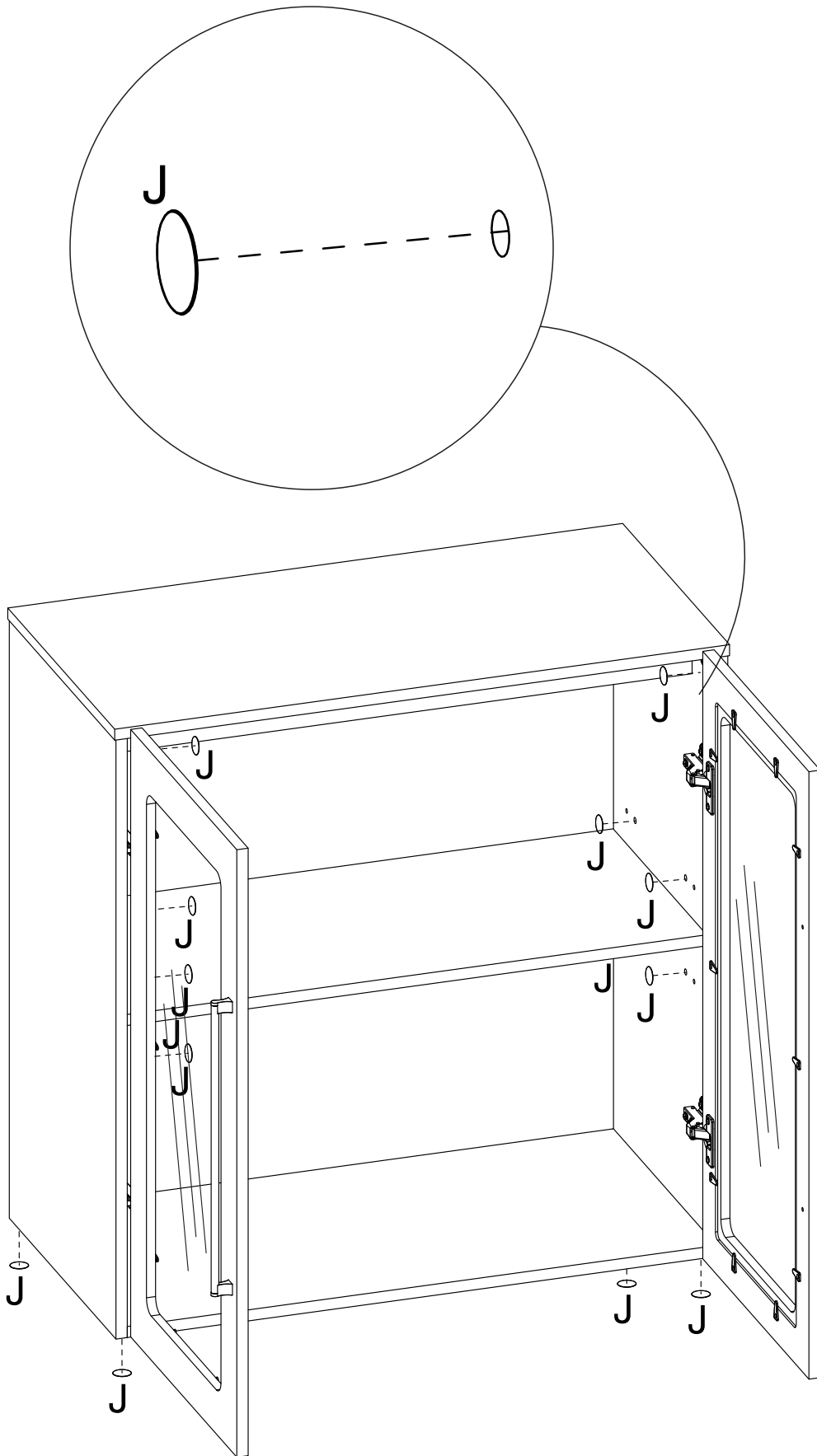
Step 16

If assembling your cabinets on top of each other, use Screws (G) and a Phillips screwdriver to join them through the top and bottom panels. The holes are predrilled



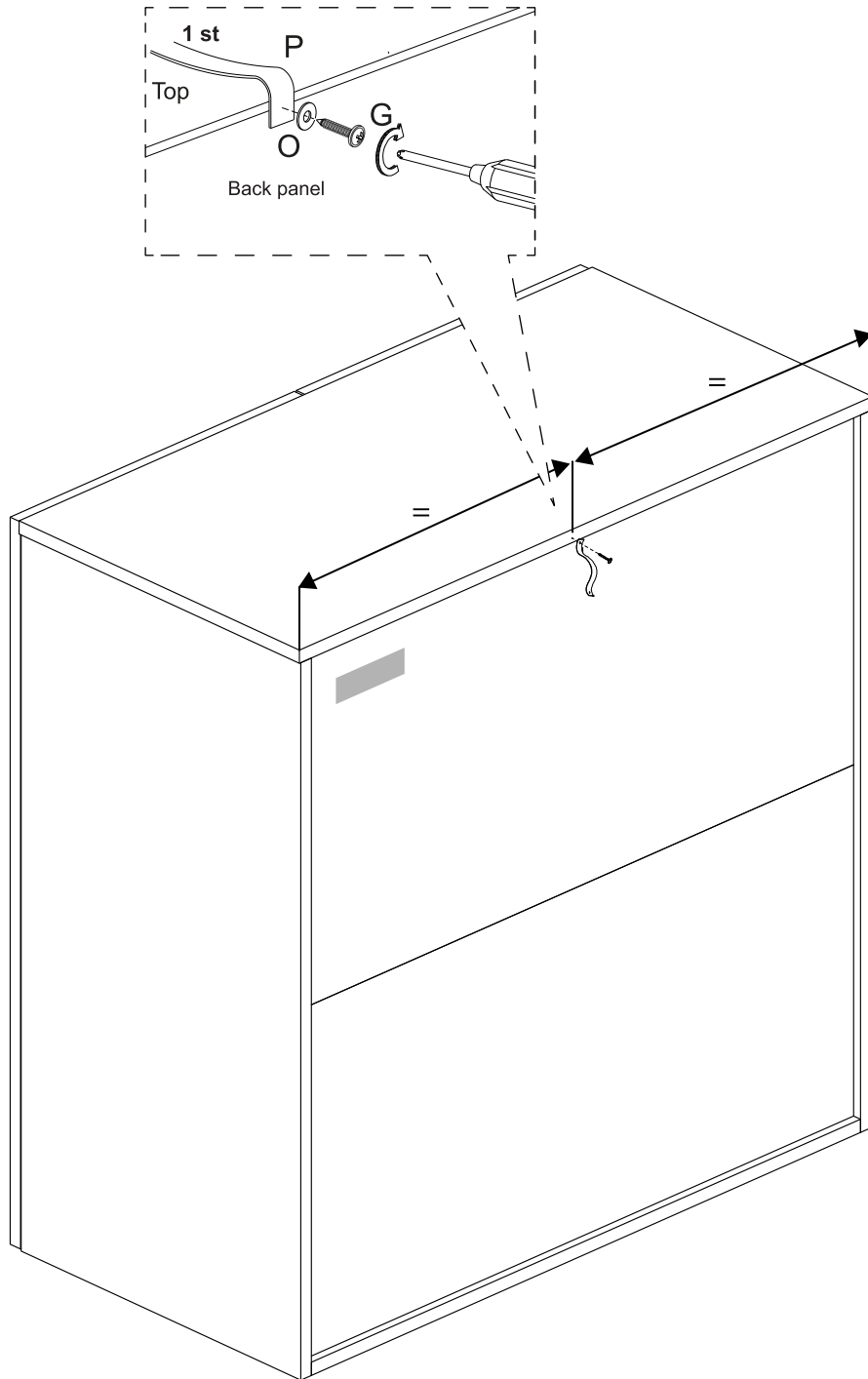
Step 17

With everything in place use Stickers (J) to cover the extra holes.



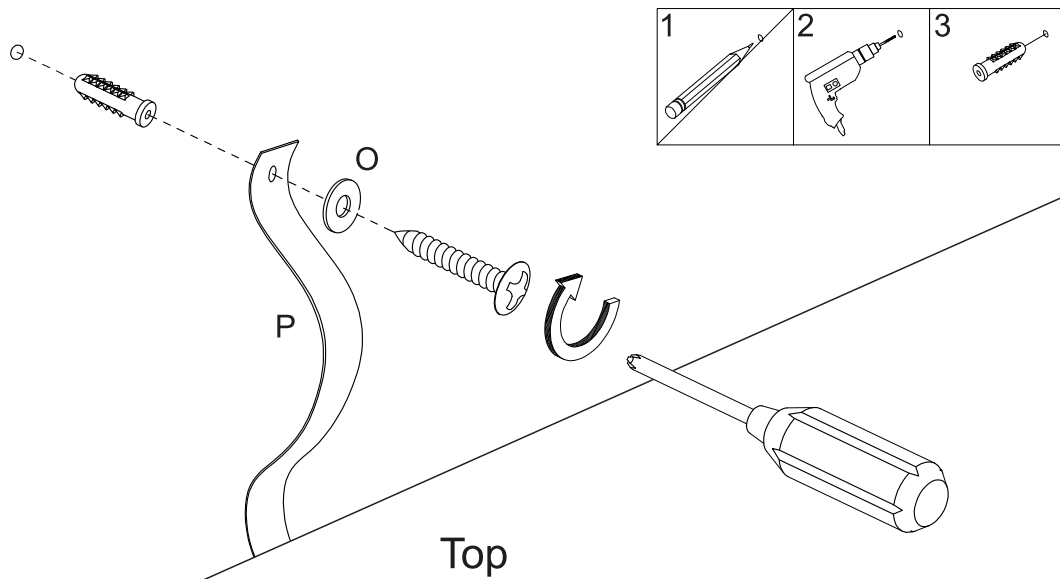
Step 18

Attach your Cabinet to the wall. Secure Wall Anchor (P) to your cabinet using Washer (O), Screw (G) and a Phillips screwdriver.



Step 19

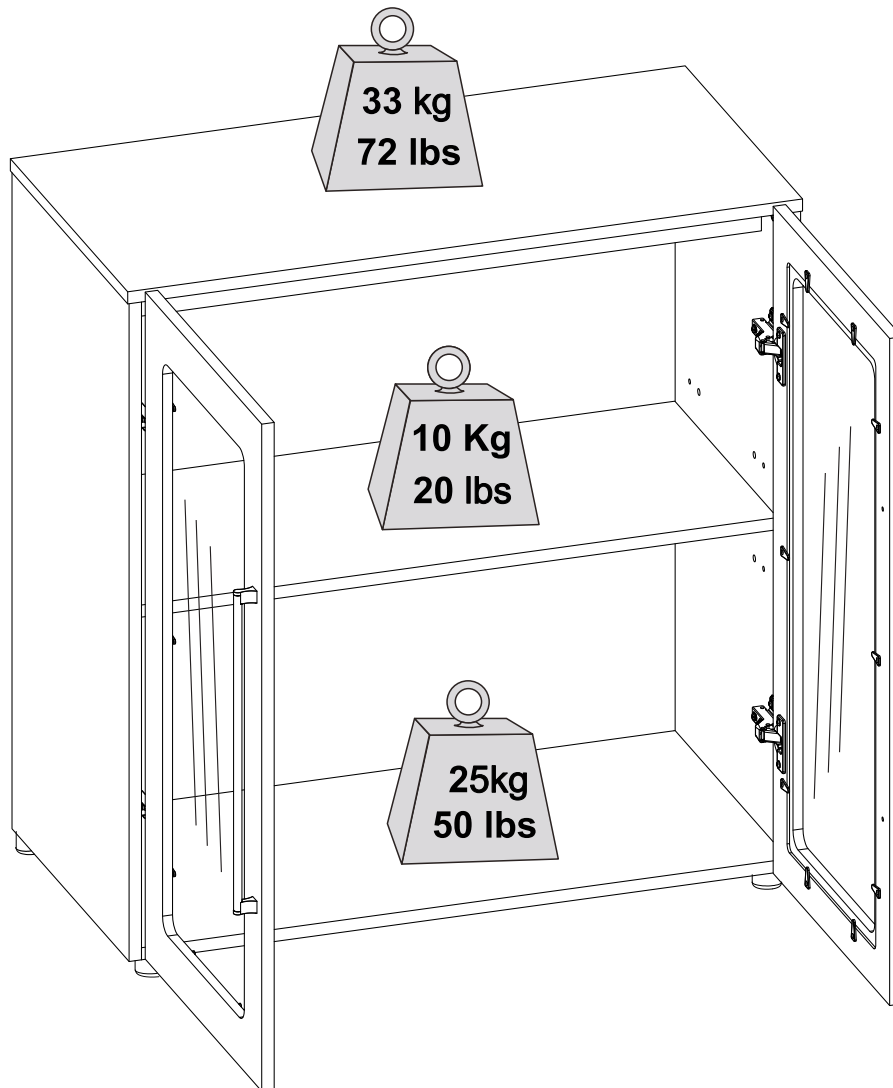
To finish this up use a plastic bush suitable for your wall. Then, secure the Wall anchor (P) to the wall using Washer (O) and a screw also suitable for your wall.



Warning

Serious or fatal injuries can occur from furniture tipping over. To prevent the furniture from tipping over we recommend that it is permanently fixed to the wall. Wall anchor and hardware are included with this product. Please make sure hardware is suitable for your walls before installing, as different wall materials may require different types of anchors.

You did it! Enjoy your new Modular Cabinet!



Congratulations on your new piece of furniture!

We would love to hear about it and see it.
Please leave us a review or post a picture with
#mywalkeredisonhome

Assembling furniture can be tricky sometimes.

Our customer service team, located in Utah, is here for product information, help assembling a product, or for any other customer support issue

Call us at **801-433-3008**

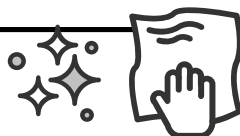
Email us at service@walkeredison.com

Visit our Customer Service website at walkeredison.com/pages/customer-service

We are available to help Monday -Thursday 8am-5pm, Friday 8am-3pm MST

For details on Assembly Videos, Assembly Instructions, Replacement Parts, and Customer service,

SCAN HERE



For cleaning, never use abrasives, use a soft cloth and water with neutral soap to clean the furniture.